

Value in motion



TOURING



Warranty and Maintenance Manual

TEMSA TS 35

9034-121Y

RPPU7L1, RPPU7LA

General Information

Your TEMSA vehicle has been manufactured by using the best quality material, newest automotive techniques and best quality control methods.

To keep your vehicle performance in best conditions and higher standards, controls and maintenances in this hand book should be made by an authorized TEMSA Service.

TEMSA Retail Delivery Advice

Date :

This form should be sent by dealer in 7 days time after delivery to end user

Customer

Name & Surname : Country:

Gender : Driver's license: Who will be the main driver of the vehicle?

Occupation : Date of birth: / /

Company :

Address (customer) : Zip:

Phone & Mobile : / E-mail:

Other Owner

Other owner : Country:

Address (customer) : Zip:

Phone & Mobile : / E-mail:

Gender : Driver's license: Date of birth: / /

Vehicle

V.I.N. Odometer:

Equipment Code : Manufacturer:

Model : Type: Coach Midibus

Engine Serial :

Rego no : (If any) Registration Date:

Type of Use : City Intercity Touring
City – Severe Conditions (Average Velocity: V<20 mi/h) / Intercity – Medium Condition (Average Velocity : 20<V<40 mi/h) / Touring – Light Condition (Average Velocity : V>40 mi/h)

Warranty Conditions

Warranty Conditions :year(s)mile(s)

Sales Contract Date :

Delivery Inspection

- | | |
|---|--|
| <input type="checkbox"/> Fill in Warranty Certificate and deliver to the customer | <input type="checkbox"/> Check the invoice, packing list, CE conformity documents |
| <input type="checkbox"/> Control of engine coolant, antifreeze, oil levels and connectors | <input type="checkbox"/> Visual check of interior, exterior and lodging appearance |
| <input type="checkbox"/> Control of gauges & instrument panel, tachometer, audio & DVD systems, electronic control units, air conditioning controls | |
| <input type="checkbox"/> Availability of tool box, set of tools, documentation case, ...etc. | <input type="checkbox"/> Control of operating functions |
| <input type="checkbox"/> Compliance requested and ordered specifications, modifications and design. | |
| <input type="checkbox"/> Road performance approval by customer after test | <input type="checkbox"/> Compliance with road homologation requirements. (if any) |

After Sales Service Instruction

- | | |
|--|--|
| <input type="checkbox"/> Warranty booklet, user guide, other warranty certificates | <input type="checkbox"/> Advising about warranty instructions & procedure given. |
|--|--|

Comments

NOTE: The vehicle specified in this document was delivered by th customer / representative in a proper working condition without any missing & faild parts after all delivery checks had been made, Vehicle complies fully my requests and orders.

TEMSA WARRANTY STATEMENT

TEMSA GLOBAL SANAYI ve TICARET A. S. (hereinafter referred to as "TEMSA") warrants each new TEMSA vehicle subject to the terms, conditions, limitations stated herein.

1. Warranty Coverage

TEMSA will repair or replace, at its option and sole discretion, any covered component found to be defective in material or workmanship under normal use and maintenance, and during the Warranty Period, free of charge for parts or labor upon notice of the defect. (If requested, replaced components must be returned to the TEMSA factory.) Replacement components may be new or TEMSA approved remanufactured parts.

2. Warranty Period

The Warranty Period for this vehicle is [2 years or 200.000 miles, as shown on the vehicle's odometer, whichever occurs first]. The Warranty Period commences on the date of delivery to the first retail purchaser, as indicated on the Retail Delivery Advice Form.

3. Warranty Service

To obtain service under this Warranty service, present the vehicle to an Authorized TEMSA Dealer or Distributor for inspection promptly upon discovering an item or concern.

4. Exclusive Remedy

Repair or replacement of covered components, as provided above, is the sole and exclusive remedy available under this Warranty or any implied warranty found to be applicable.

5. Limitations and Exclusions

5.1 This Warranty does NOT cover:

- Adjustments;
- Any component separately warranted by the manufacturer of that component, including, but not limited to, the tires, air conditioning system, entertainment system, engine and other separately warranted components;
- Repair or replacement of components necessitated by normal wear and tear, inadequate or improper maintenance or repair, contaminated fuel, environmental or atmospheric contaminants, exposure to natural elements, modification, alteration, installation of after-market parts or accessories, overloading, misuse, abuse, neglect, accident or collision, war, or Acts of God;
- Damage or failure resulting from the installation or use of unauthorized parts or accessories;
- Consumable items such as oil, grease, refrigerant, filters, belts, bulbs, etc.; or
- Costs or expenses associated with repairs performed, or parts supplied, by any entity other than an authorized TEMSA Dealer or Distributor.

5.2 Exclusive Warranty

This Warranty is the sole and exclusive warranty made or authorized by TEMSA and is made in lieu of all other warranties, oral or written, express or implied, including any IMPLIED WARRANTY OF MERCHANTABILITY or FITNESS FOR A PARTICULAR PURPOSE, which are specifically DISCLAIMED. TEMSA makes or assumes no obligations or responsibilities beyond those stated in this Warranty. TEMSA shall not be bound by any undertaking, representation, or warranty made by a dealer or any other person or entity.

5.3 Limitation on Damages

In no event shall TEMSA be liable for INCIDENTAL OR CONSEQUENTIAL DAMAGES resulting from breach of this Warranty or any implied warranty, including but not limited to, lost profits, loss of use, loss of income or wages, towing or storage charges, fuel charges, aggravation, inconvenience, loss of or damage to personal property, increased cost of operation, or damages to material.

5.4 Limitation on Transfer

This Warranty extends only to the first retail-purchaser and may not be transferred to a subsequent owner without TEMSA's express, written consent.

6. Product Changes

TEMSA reserves the right to change, modify, and improve any aspect of its products at any time and without coming under any obligation to change, modify, or improve vehicles already in service.

7. Arbitration in Lieu of Litigation

Any and all disputes arising under this Repair Warranty shall be resolved through binding arbitration under the auspices of the [American Arbitration Association, [indicate city and state of AAA office] or other provider of alternative dispute resolution services] and shall be resolved by application of the law of the State of _____

8. Period for Commencing Arbitration Proceeding

Any arbitration proceeding for breach of this Warranty must be brought within one-year after the date on which the cause of action accrues or this Warranty expires, whichever is sooner.

TEMSA Retail Delivery Advice

Date :

This form should be sent by dealer in 7 days time after delivery to end user

Customer

Name & Surname : Country:

Gender : Driver's license: Who will be the main driver of the vehicle?

Occupation : Date of birth: / /

Company :

Address (customer) : Zip:

Phone & Mobile : / E-mail:

Other Owner

Other owner : Country:

Address (customer) : Zip:

Phone & Mobile : / E-mail:

Gender : Driver's license: Date of birth: / /

Vehicle

V.I.N. Odometer:

Equipment Code : Manufacturer:

Model : Type: Coach Midibus

Engine Serial :

Rego no : (If any) Registration Date:

Type of Use : City Intercity Touring
City - Severe Conditions (Average Velocity: V<20 mi/h) / Intercity - Medium Condition (Average Velocity : 20<V<40 mi/h) / Touring - Light Condition (Average Velocity : V>40 mi/h)

Warranty Conditions

Warranty Conditions :year(s)mile(s)

Sales Contract Date :

Delivery Inspection

- | | |
|---|--|
| <input type="checkbox"/> Fill in Warranty Certificate and deliver to the customer | <input type="checkbox"/> Check the invoice, packing list, CE conformity documents |
| <input type="checkbox"/> Control of engine coolant, antifreeze, oil levels and connectors | <input type="checkbox"/> Visual check of interior, exterior and lodging appearance |
| <input type="checkbox"/> Control of gauges & instrument panel, tachometer, audio & DVD systems, electronic control units, air conditioning controls | |
| <input type="checkbox"/> Availability of tool box, set of tools, documentation case, ...etc. | <input type="checkbox"/> Control of operating functions |
| <input type="checkbox"/> Compliance requested and ordered specifications, modifications and design. | |
| <input type="checkbox"/> Road performance approval by customer after test | <input type="checkbox"/> Compliance with road homologation requirements. (if any) |

After Sales Service Instruction

- | | |
|--|--|
| <input type="checkbox"/> Warranty booklet, user guide, other warranty certificates | <input type="checkbox"/> Advising about warranty instructions & procedure given. |
|--|--|

Comments

NOTE: The vehicle specified in this document was delivered by th customer / representative in a proper working condition without any missing & faild parts after all delivery checks had been made, Vehicle complies fully my requests and orders.

TEMSA WARRANTY STATEMENT

TEMSA GLOBAL SANAYI ve TICARET A. S. (hereinafter referred to as "TEMSA") warrants each new TEMSA vehicle subject to the terms, conditions, limitations stated herein.

1. Warranty Coverage

TEMSA will repair or replace, at its option and sole discretion, any covered component found to be defective in material or workmanship under normal use and maintenance, and during the Warranty Period, free of charge for parts or labor upon notice of the defect. (If requested, replaced components must be returned to the TEMSA factory.) Replacement components may be new or TEMSA approved remanufactured parts.

2. Warranty Period

The Warranty Period for this vehicle is [2 years or 200.000 miles, as shown on the vehicle's odometer, whichever occurs first]. The Warranty Period commences on the date of delivery to the first retail purchaser, as indicated on the Retail Delivery Advice Form.

3. Warranty Service

To obtain service under this Warranty service, present the vehicle to an Authorized TEMSA Dealer or Distributor for inspection promptly upon discovering an item or concern.

4. Exclusive Remedy

Repair or replacement of covered components, as provided above, is the sole and exclusive remedy available under this Warranty or any implied warranty found to be applicable.

5. Limitations and Exclusions

5.1 This Warranty does NOT cover:

- Adjustments;
- Any component separately warranted by the manufacturer of that component, including, but not limited to, the tires, air conditioning system, entertainment system, engine and other separately warranted components;
- Repair or replacement of components necessitated by normal wear and tear, inadequate or improper maintenance or repair, contaminated fuel, environmental or atmospheric contaminants, exposure to natural elements, modification, alteration, installation of after-market parts or accessories, overloading, misuse, abuse, neglect, accident or collision, war, or Acts of God;
- Damage or failure resulting from the installation or use of unauthorized parts or accessories;
- Consumable items such as oil, grease, refrigerant, filters, belts, bulbs, etc.; or
- Costs or expenses associated with repairs performed, or parts supplied, by any entity other than an authorized TEMSA Dealer or Distributor.

5.2 Exclusive Warranty

This Warranty is the sole and exclusive warranty made or authorized by TEMSA and is made in lieu of all other warranties, oral or written, express or implied, including any IMPLIED WARRANTY OF MERCHANTABILITY or FITNESS FOR A PARTICULAR PURPOSE, which are specifically DISCLAIMED. TEMSA makes or assumes no obligations or responsibilities beyond those stated in this Warranty. TEMSA shall not be bound by any undertaking, representation, or warranty made by a dealer or any other person or entity.

5.3 Limitation on Damages

In no event shall TEMSA be liable for INCIDENTAL OR CONSEQUENTIAL DAMAGES resulting from breach of this Warranty or any implied warranty, including but not limited to, lost profits, loss of use, loss of income or wages, towing or storage charges, fuel charges, aggravation, inconvenience, loss of or damage to personal property, increased cost of operation, or damages to material.

5.4 Limitation on Transfer

This Warranty extends only to the first retail-purchaser and may not be transferred to a subsequent owner without TEMSA's express, written consent.

6. Product Changes

TEMSA reserves the right to change, modify, and improve any aspect of its products at any time and without coming under any obligation to change, modify, or improve vehicles already in service.

7. Arbitration in Lieu of Litigation

Any and all disputes arising under this Repair Warranty shall be resolved through binding arbitration under the auspices of the [American Arbitration Association, [indicate city and state of AAA office] or other provider of alternative dispute resolution services] and shall be resolved by application of the law of the State of _____

8. Period for Commencing Arbitration Proceeding

Any arbitration proceeding for breach of this Warranty must be brought within one-year after the date on which the cause of action accrues or this Warranty expires, whichever is sooner.

TEMSA Retail Delivery Advice

Date :

This form should be sent by dealer in 7 days time after delivery to end user

Customer

Name & Surname : Country:

Gender : Driver's license: Who will be the main driver of the vehicle?

Occupation : Date of birth: / /

Company :

Address (customer) : Zip:

Phone & Mobile : / E-mail:

Other Owner

Other owner : Country:

Address (customer) : Zip:

Phone & Mobile : / E-mail:

Gender : Driver's license: Date of birth: / /

Vehicle

V.I.N. Odometer:

Equipment Code : Manufacturer:

Model : Type: Coach Midibus

Engine Serial :

Rego no : (If any) Registration Date:

Type of Use : City Intercity Touring
City - Severe Conditions (Average Velocity: V<20 mi/h) / Intercity - Medium Condition (Average Velocity : 20<V<40 mi/h) / Touring - Light Condition (Average Velocity : V>40 mi/h)

Warranty Conditions

Warranty Conditions :year(s)mile(s)

Sales Contract Date :

Delivery Inspection

- | | |
|---|--|
| <input type="checkbox"/> Fill in Warranty Certificate and deliver to the customer | <input type="checkbox"/> Check the invoice, packing list, CE conformity documents |
| <input type="checkbox"/> Control of engine coolant, antifreeze, oil levels and connectors | <input type="checkbox"/> Visual check of interior, exterior and lodging appearance |
| <input type="checkbox"/> Control of gauges & instrument panel, tachometer, audio & DVD systems, electronic control units, air conditioning controls | |
| <input type="checkbox"/> Availability of tool box, set of tools, documentation case, ...etc. | <input type="checkbox"/> Control of operating functions |
| <input type="checkbox"/> Compliance requested and ordered specifications, modifications and design. | |
| <input type="checkbox"/> Road performance approval by customer after test | <input type="checkbox"/> Compliance with road homologation requirements. (if any) |

After Sales Service Instruction

- Warranty booklet, user guide, other warranty certificates
- Advising about warranty instructions & procedure given.

Comments

NOTE: The vehicle specified in this document was delivered by th customer / representative in a proper working condition without any missing & faild parts after all delivery checks had been made, Vehicle complies fully my requests and orders.

TEMSA WARRANTY STATEMENT

TEMSA GLOBAL SANAYI ve TICARET A. S. (hereinafter referred to as "TEMSA") warrants each new TEMSA vehicle subject to the terms, conditions, limitations stated herein.

1. Warranty Coverage

TEMSA will repair or replace, at its option and sole discretion, any covered component found to be defective in material or workmanship under normal use and maintenance, and during the Warranty Period, free of charge for parts or labor upon notice of the defect. (If requested, replaced components must be returned to the TEMSA factory.) Replacement components may be new or TEMSA approved remanufactured parts.

2. Warranty Period

The Warranty Period for this vehicle is [2 years or 200.000 miles, as shown on the vehicle's odometer, whichever occurs first]. The Warranty Period commences on the date of delivery to the first retail purchaser, as indicated on the Retail Delivery Advice Form.

3. Warranty Service

To obtain service under this Warranty service, present the vehicle to an Authorized TEMSA Dealer or Distributor for inspection promptly upon discovering an item or concern.

4. Exclusive Remedy

Repair or replacement of covered components, as provided above, is the sole and exclusive remedy available under this Warranty or any implied warranty found to be applicable.

5. Limitations and Exclusions

5.1 This Warranty does NOT cover:

- Adjustments;
- Any component separately warranted by the manufacturer of that component, including, but not limited to, the tires, air conditioning system, entertainment system, engine and other separately warranted components;
- Repair or replacement of components necessitated by normal wear and tear, inadequate or improper maintenance or repair, contaminated fuel, environmental or atmospheric contaminants, exposure to natural elements, modification, alteration, installation of after-market parts or accessories, overloading, misuse, abuse, neglect, accident or collision, war, or Acts of God;
- Damage or failure resulting from the installation or use of unauthorized parts or accessories;
- Consumable items such as oil, grease, refrigerant, filters, belts, bulbs, etc.; or
- Costs or expenses associated with repairs performed, or parts supplied, by any entity other than an authorized TEMSA Dealer or Distributor.

5.2 Exclusive Warranty

This Warranty is the sole and exclusive warranty made or authorized by TEMSA and is made in lieu of all other warranties, oral or written, express or implied, including any IMPLIED WARRANTY OF MERCHANTABILITY or FITNESS FOR A PARTICULAR PURPOSE, which are specifically DISCLAIMED. TEMSA makes or assumes no obligations or responsibilities beyond those stated in this Warranty. TEMSA shall not be bound by any undertaking, representation, or warranty made by a dealer or any other person or entity.

5.3 Limitation on Damages

In no event shall TEMSA be liable for INCIDENTAL OR CONSEQUENTIAL DAMAGES resulting from breach of this Warranty or any implied warranty, including but not limited to, lost profits, loss of use, loss of income or wages, towing or storage charges, fuel charges, aggravation, inconvenience, loss of or damage to personal property, increased cost of operation, or damages to material.

5.4 Limitation on Transfer

This Warranty extends only to the first retail-purchaser and may not be transferred to a subsequent owner without TEMSA's express, written consent.

6. Product Changes

TEMSA reserves the right to change, modify, and improve any aspect of its products at any time and without coming under any obligation to change, modify, or improve vehicles already in service.

7. Arbitration in Lieu of Litigation

Any and all disputes arising under this Repair Warranty shall be resolved through binding arbitration under the auspices of the [American Arbitration Association, [indicate city and state of AAA office] or other provider of alternative dispute resolution services] and shall be resolved by application of the law of the State of _____

8. Period for Commencing Arbitration Proceeding

Any arbitration proceeding for breach of this Warranty must be brought within one-year after the date on which the cause of action accrues or this Warranty expires, whichever is sooner.

TEMSA WARRANTY STATEMENT

TEMSA GLOBAL SANAYI ve TICARET A. S. (hereinafter referred to as "TEMSA") warrants each new TEMSA vehicle subject to the terms, conditions, limitations stated herein.

1. Warranty Coverage

TEMSA will repair or replace, at its option and sole discretion, any covered component found to be defective in material or workmanship under normal use and maintenance, and during the Warranty Period, free of charge for parts or labor upon notice of the defect. (If requested, replaced components must be returned to the TEMSA factory.) Replacement components may be new or TEMSA approved remanufactured parts.

2. Warranty Period

The Warranty Period for this vehicle is [2 years or 200.000 miles, as shown on the vehicle's odometer, whichever occurs first]. The Warranty Period commences on the date of delivery to the first retail purchaser, as indicated on the Retail Delivery Advice Form.

3. Warranty Service

To obtain service under this Warranty service, present the vehicle to an Authorized TEMSA Dealer or Distributor for inspection promptly upon discovering an item or concern.

4. Exclusive Remedy

Repair or replacement of covered components, as provided above, is the sole and exclusive remedy available under this Warranty or any implied warranty found to be applicable.

5. Limitations and Exclusions

5.1 This Warranty does NOT cover:

- Adjustments;
- Any component separately warranted by the manufacturer of that component, including, but not limited to, the tires, air conditioning system, entertainment system, engine and other separately warranted components;
- Repair or replacement of components necessitated by normal wear and tear, inadequate or improper maintenance or repair, contaminated fuel, environmental or atmospheric contaminants, exposure to natural elements, modification, alteration, installation of after-market parts or accessories, overloading, misuse, abuse, neglect, accident or collision, war, or Acts of God;
- Damage or failure resulting from the installation or use of unauthorized parts or accessories;
- Consumable items such as oil, grease, refrigerant, filters, belts, bulbs, etc.; or
- Costs or expenses associated with repairs performed, or parts supplied, by any entity other than an authorized TEMSA Dealer or Distributor.

5.2 Exclusive Warranty

This Warranty is the sole and exclusive warranty made or authorized by TEMSA and is made in lieu of all other warranties, oral or written, express or implied, including any IMPLIED WARRANTY OF MERCHANTABILITY or FITNESS FOR A PARTICULAR PURPOSE, which are specifically DISCLAIMED. TEMSA makes or assumes no obligations or responsibilities beyond those stated in this Warranty. TEMSA shall not be bound by any undertaking, representation, or warranty made by a dealer or any other person or entity.

5.3 Limitation on Damages

In no event shall TEMSA be liable for INCIDENTAL OR CONSEQUENTIAL DAMAGES resulting from breach of this Warranty or any implied warranty, including but not limited to, lost profits, loss of use, loss of income or wages, towing or storage charges, fuel charges, aggravation, inconvenience, loss of or damage to personal property, increased cost of operation, or damages to material.

5.4 Limitation on Transfer

This Warranty extends only to the first retail-purchaser and may not be transferred to a subsequent owner without TEMSA's express, written consent.

6. Product Changes

TEMSA reserves the right to change, modify, and improve any aspect of its products at any time and without coming under any obligation to change, modify, or improve vehicles already in service.







7. Arbitration in Lieu of Litigation

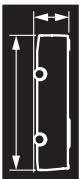
Any and all disputes arising under this Repair Warranty shall be resolved through binding arbitration under the auspices of the [American Arbitration Association, [indicate city and state of AAA office] or other provider of alternative dispute resolution services] and shall be resolved by application of the law of the State of _____

8. Period for Commencing Arbitration Proceeding

Any arbitration proceeding for breach of this Warranty must be brought within one-year after the date on which the cause of action accrues or this Warranty expires, whichever is sooner.

VEHICLE SPECIFICATIONS

Vehicle Model Code			
		RPPU7LA	RPPU7L1
Overall length (ft.in)		34' - 11 7/10"	34' - 11 7/10"
Overall width (ft.in)		8' - 4 4/10"	8' - 4 4/10"
Overall height (ft.in)		11' - 6 6/10"	11' - 6 6/10"
Overall height (lifting) (ft.in)		11' - 9 7/10"	11' - 9 7/10"
Front overhang (ft.in)		6' - 10 1/10"	6' - 10 1/10"
Rear overhang (ft.in)		10' - 3"	10' - 3"
Wheelbase (ft.in)		18' - 2 1/10"	18' - 2 1/10"
Interior height (ft.in)		6' - 9 9/10"	6' - 9 9/10"
 Engine	Model	CUMMINS EPA10 ISL8. 9 345HP	CUMMINS EPA13 ISL8. 9 345HP
	Type	Common Rail Diesel	Common Rail Diesel
 Front Axle		ZF-RL75E	ZF-RL75E
	 Rear Axle		ZF A1325 (=3,54)
		-	-
 Transmission	Manual		
	Automatic	ALLISON B 500	ALLISON B 500

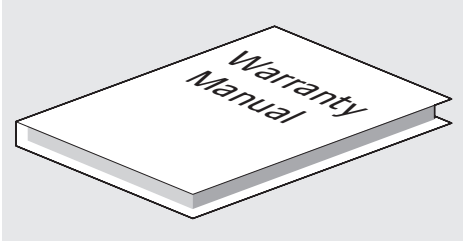




Vehicle Periodic Maintenance

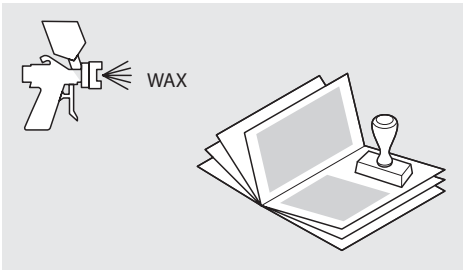
In order to maintain the reliability of your vehicle, regular maintenance as outlined in your Service Record is a must. Your Service Record is your vehicle's own log of all maintenance that is carried out and should remain in your vehicle at all times.

When your vehicle is first delivered customer RDA (Retail Delivery Advice) is carried out to ensure that the vehicle is delivered in pristine condition.



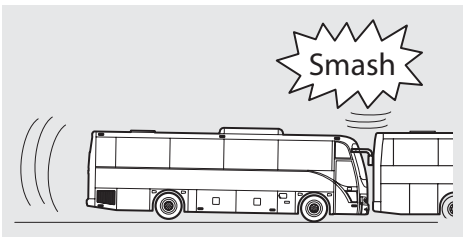
The body sheet metal work and the underside of the vehicle must be inspected every 12 months from the warranty start date and re-treated if necessary at the owner's expense.

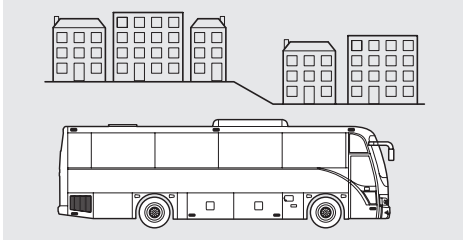
When the inspection has been completed, the body inspection record must be completed and stamped by the inspecting company. This record can be found in the Maintenance Record Booklet.



Any minor repairs for stone chips, scratches and damage etc., must be repaired at the owner's expense.

If the vehicle has been involved in an accident or for whatever reason the sheet metal panels have been repaired or replaced, repairs must be performed in accordance with the procedures laid down in the appropriate repair manuals.





Severe Usage

For all vehicles that are under severe conditions, the maintenance schedule should be performed more frequently at lower intervals.

The shortened period is to protect the vehicle from damage to various areas including lubricant replacement in the transmission and axles where there is the possibility of water, mud, sand etc., causing damage due to contamination. If you are in doubt, please discuss the type of usage of your vehicle with your TEMSA Authorized Service Point.



Corrosion Prevention

In order to keep your vehicle in good condition and free from corrosion, we suggest that the following areas are checked and cleaned frequently.

Washing

Wash the vehicle thoroughly and at regular intervals to protect it against corrosive factors. Use suitable washing agent and warm water for hand washing.



Note: Use max. 120°F water.

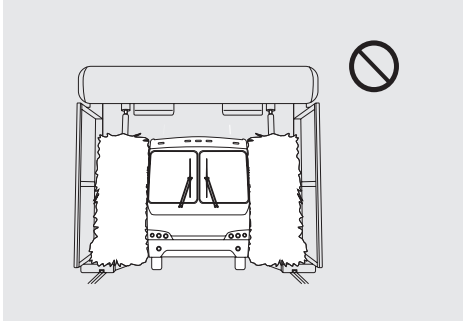
Use only gentle washing agents approved by TEMSA




WARNING

Do not use household detergents, soaps or strong chemicals which remove wax and other protective finishes from the surface of the paint to wash your vehicle. After all sections have been washed, rinse the entire vehicle once again before drying. Do not let residues stay on the surface of the vehicle.

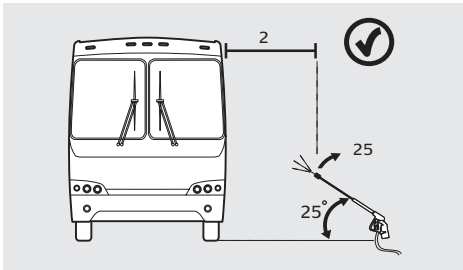
Washing New Vehicles





WARNING

New paint work is not fully hardened during the first months. Therefore, instead of washing the vehicle in an automatic wash system prefer hand wash during the first 2 months. Always wash the vehicle starting from top to bottom.

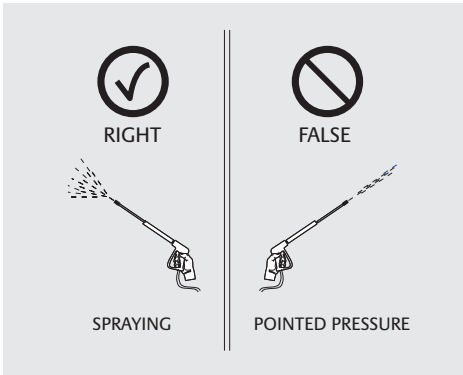


Pressure Washing


You can use pressure washers for your vehicle older than 2 months. Running water and gentle washing agents approved by TEMSA can be used for this process.

Wash water Preparation

Use cold or warm water for pressure washing. Depending on the manufacturer, you can add 1 to 5 % washing agent to the wash water.



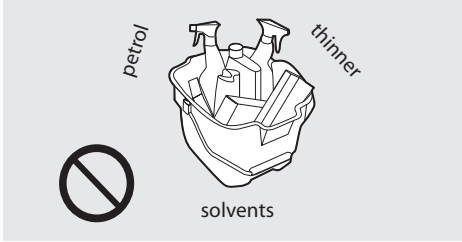
Choosing Right Nozzle For Pressure Washing



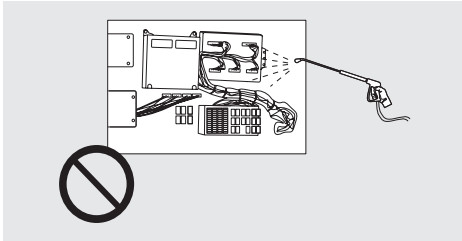
WARNING

Do not use high pressure round jet nozzles and power nozzles. Only use flat jet nozzles for pressure washing. Always keep the nozzle moving instead of pointing. The average operating pressure of pressure washing machine should be 725 PSI.

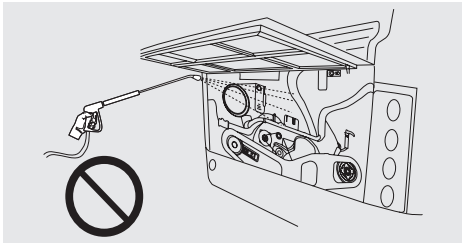
Things Not To Do !



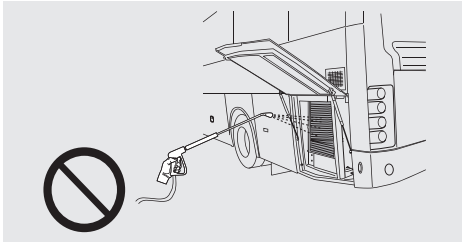
WARNING
Never use additives or cleaning agents comprising petrol, thinner or any other hydrocarbon based solvents.



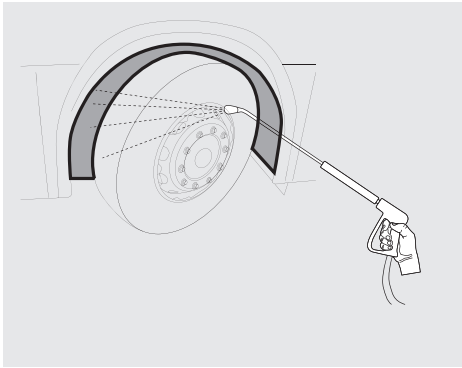
WARNING
Do not point the water directly to any electrical equipment.



WARNING
Do not point the pressurized water directly to engine compartment, air suction zones, draining holes of axle and transmission system.



WARNING
Do not point the pressurized water directly to the bearings and joints.



Under Body Maintenance

Salting icy roads during the winter helps vehicle tires to maintain traction. On the other hand, accumulation of road salt in the fenders, luggage compartments and under body zone of the vehicle causes corrosion.

Components of the vehicle such as chassis, side panels, exhaust system, brake and oil lines can be affected by the corrosion if accumulated road salt is not cleaned well. To protect the under body components, wash and clean the road salt accumulation zones at least once in a month.

Note: Wash and clean the vehicle once in a month.

Paint work Maintenance

Repair any observed scratches and paint work damages immediately.

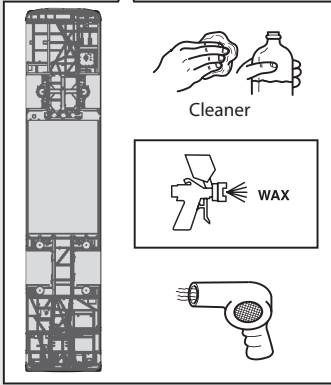
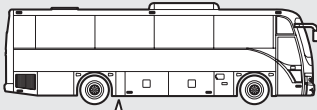
Uncoated surfaces cause corrosion.

Surface Protection

With a recommended bright polishing agent, apply wax sealing.

After every third to fifth wash, apply hot wax sealing to your vehicle.

Applying hot wax and using re-grasing substances prevents dirt from adhering to surface of the vehicle. This makes washing the vehicle easier.

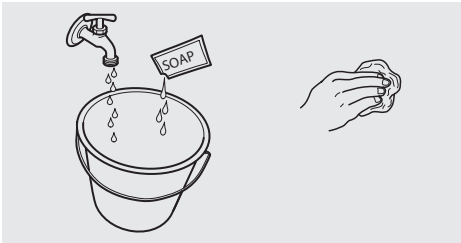


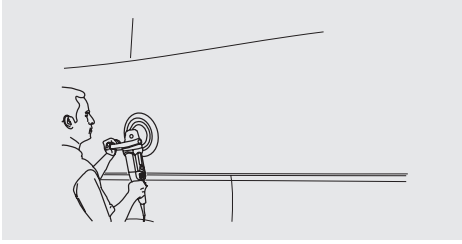
Preparing the Vehicle for Winter Season

Prepare your vehicle by taking the necessary actions to the cold season. Corrosive factors are much more devastating during winter period.

Things To Do !

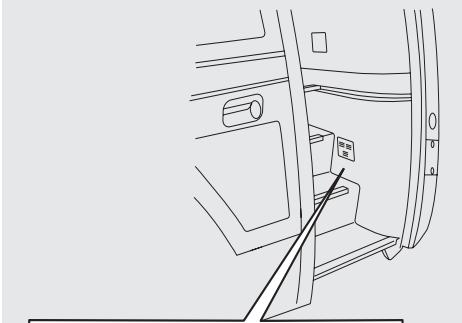
- Apply waxed-based protectives to superstructure, underbody and chassis.
- Repeat this application of preservative on particularly damaged zones.
- Wash and clean the road salt accumulation zones at periodic intervals.
- Grease the chassis, brake system yokes and joints regularly.
- Add approved antifreeze to the heating and cooling system with the right proportions.
- Change the engine oil on its recommended time according to the specified SAE classes.





Outer Surface Damage

Stone chips, paint damage and scratches in the painted surfaces should be repaired promptly. Bare metal will corrode quickly and can develop into a major expense. Minor chips and scratches can be repaired with touch-up materials that are available from your TEMSA Authorized Service Point.



Accident Damage

Should your vehicle be Involved in an accident and require sheet metal repair or replacement, ensure that the body repair shop applies the correct anti-corrosion material conforming to TEMSA Specifications to the replaced parts and adjacent areas.

Anti-Corrosion Perforation Requirements

When you receive your new vehicle, please ensure that the vehicle details, Vehicle Identification Number (VIN) and the Warranty Start Date are correct. Like the periodic maintenance, the bodywork must also be inspected on an annual basis; this in general is carried out at the same time as the periodic maintenance. Any minor repairs for stone chips, scratches and damage etc., are at the owner's expense. If the vehicle has been involved in an accident or for whatever reason and sheet metal panels have been repaired or replaced, repairs must be performed in accordance with the procedures laid down in the appropriate repair manuals.

MANUFACTURED BY: TEMSA GLOBAL SANAYİ VE TİCARET A.Ş	
MODEL: TS 35C	TYPE: INTERCITY BUS EPA10
DATE OF MANUFACTURE: MO. YR.	
VIN:	PROD.NO.:
ENG.NO.:	DPF NO.:
	GVWR : 16, 986 Kgf (37, 448 lbf)
	GVWR - FRONT : 6, 100 Kgf (13, 448 lbf)
	GVWR - REAR : 10, 886 Kgf (24,000 lbf)
TECHNICALLY PERMISSIBLE MAXIMUM WEIGHT	: 19, 400 Kgf (42, 700 lbf)
THIS VEHICLE CONFORMS TO ALL APPLICABLE U.S. FEDERAL MOTOR VEHICLE SAFETY STANDARDS IN EFFECT ON THE DATE OF MANUFACTURE SHOWN ABOVE.	

Care of your TEMSA



Vehicles fitted with a Turbo-Charger

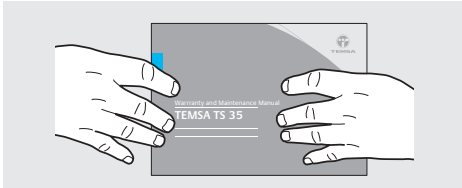
It is essential when the engine is started from cold that it be run for 30-60 seconds prior to driving. After the engine has been running at high speed or under load, i.e. towing a caravan or trailer, allow the engine to idle for 1 or 2 minutes prior to switching off. This allows the turbo-charger to cool down and avoid possible bearing damage.

Do It Yourself Checks

As the owner, it is possible for you to carry-out many inspections and maintenance items on your vehicle yourself prior to driving long distances. Some of these checks can be carried out daily, weekly and monthly. For these items, please refer to the Do It Yourself section of the Owner's Manual.

Engine Lubrication Requirements

Use of the correct grade of engine oil in your engine is essential. Refer to your Service booklet.



Transfer of New Vehicle Warranty

Should you sell the vehicle while it is within the manufacturers warranty period, please complete the Transfer of Warranty section. This can be found the Warranty Terms and Conditions booklet, and send it to your Country's Distributor.

If you are the second or subsequent owner and your vehicle is still within the manufacturers warranty period, please complete the transfer of warranty card, which is pre-addressed, and send it free post to your Country's Distributor. This card can be found in the Warranty Terms and Conditions booklet.

If you have sold the vehicle to a TEMSA Authorized Sales Point, it is their responsibility to complete the details and send them to the Distributor.

Second or Subsequent Owners

If you are the second or subsequent owner, please complete in full the Record of Owner details of this booklet.

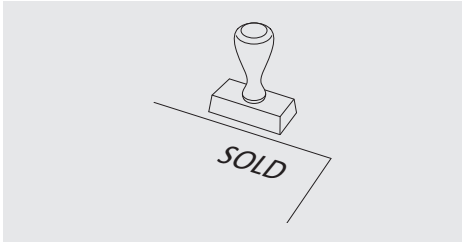
Vehicles Originally Purchased In Other Countries

Owners of vehicles sold by TEMSA but purchased in another country are entitled to the level of warranty cover originally provided with the vehicle, which must be supported by all TEMSA Network partners. It is the owner's responsibility to proof entitlement to warranty by producing the Service Portfolio issued with the vehicle. Assistance must be provided following normal warranty procedures and the customer should not be charged for warranty work undertaken. If necessary, approval should be requested from TEMSA to ensure customer satisfaction. No responsibility will be accepted by TEMSA for the following:

The vehicle, as manufactured by TEMSA, does not meet the legal or operational requirements of market for which it was not specified.

The effects of unauthorized modifications to vehicle undertaken to comply with the legal or operational requirements of market for which it was not specified.

Note: Where applicable, TEMSA Network partners may, at the customer's expense, carry out authorised modifications to meet legal or operational requirements of a market.



Vehicle Handover

The Dealer has to ensure TEMSA guidelines for vehicle. When presenting the new vehicle to the customer, it is essential that, in addition to explaining the features and controls of the vehicle, the opportunity is taken to fully explain the warranty terms and conditions. In particular the following points should be covered:

- Introduce the owner to the Service Manager or Service Receptionist in order to create point of contact for service or warranty assistance.
- Ensure the customer fully understands what the TEMSA warranties cover.
- Ensure that the owner is aware of the maintenance requirements.

Dealers have to inform their Distributor the sold date of all new TEMSA vehicles. For company or demonstrator vehicles, the date should be the date that the vehicle is taken into service. This sold date must correspond with the Warranty Start Date in the Memorandum of Registration. This information must be provided as soon as possible.

PROPOSED CHANGE INTERVALS					
	Capacity	Norm	Class	CHANGING PERIOD (Which comes first)	
Engine oil & Engine oil filter (EPA10 ISL 8.9 345HP) (EPA13 ISL 8.9 345HP)	7,4 gal	SAE 15W 40	API CH-4	20.000 mi/6 months	
Transmission oil (ALLISON B 500)	11,9 gal	(TES295) Synthetic Transmission Oil	Castrol TranSynd	160.000 mi/4 year	
Differential oil & Rear Axle (ZF A132)	4,2 gal	SAE 80W 90	ZF-Ecofluid TE-ML 12B/12E	Hot-country operation	40.000 mi/1 year
				Normal operation	90.000 mi/3 years
Power steering	1,2 gal	DONAX TX	AUTRAN MBX DEXRONII	70.000 mi/2 years	
A/C compressor oil	1 gal	-	Polyolester (POE)	-	
Antifreeze NF	10,5 gal	-	CES 14603	160.000 mi / 2 years	
A/C Gas	15,4 lbs	-	R 134 A	-	
Linnig Angel Gearbox Drive oil	0,1 gal	75W 90	DEAGEAR Synth	50.000 mi	
Hub Grease	1,3 lbs	-	ZF TE-ML 12	300.000 mi / 2 years	
Wax	-	Efcoat	WB 463 A1	-	
Tire pressure	Front			Rear	
	125 PSI			125 PSI	
<p>The denomination "hot country use" is derived from the area where the vehicle is used, rather than from a country in the sense of a state. It is assumed that the conditions are "Hot Country Use" when:</p> <ol style="list-style-type: none"> 1. The monthly average temperature exceeds 77°F (25°C) in more than 2 months within a year. 2. or if temperature rise above 104°F (40°C) on more than 7 days in a year. <p>Examples for possible countries or regions are : America: USA (South and deserts), Mexico.</p>					

The following maintenance should be performed independent of mileage;

Description	Intervals
Check the engine compartment automatic fire extinguisher system to verify*;	Every Months
The Suppression Unit is in its proper location.	
The Tamper Indicator is intact.	
The Maintenance Tag or Certificate is in place.	
The Suppression Unit shows no physical damage or condition that might prevent operation.	
a. This includes inspecting the detection tubing in the hazard area for abrasion, distortion, cuts, or dirt accumulation.	
The Pressure Gauge is in the operable range.	
The Nozzle Blow-off Caps are intact and undamaged (if applicable).	
Neither the Protected Equipment nor the Hazard has been replaced, modified, or relocated.	
Check the engine compartment automatic fire extinguisher system**;	Every 6 Months
Make sure that the hazard has not changed.	
Inspect detection/actuation tubing, discharge piping, nozzles, signals, and all other auxiliary equipment.	
Verify that the agent distribution piping is not obstructed.	
The Fire Suppression System Indication Module functionality should be tested.	
The Fire Suppression System Assembly should be disconnected from the detection and discharge networks and the powder agitated.	

* Monthly Inspection is to be performed by owner or end user

** Semi-annual Inspection is to be performed only by a Certified Firetrace Distributor

TYPE OF USE OF THE VEHICLE	
TYPE I	Touring – Light Condition (Average Velocity : $V > 40$ mi/h)
TYPE II	Intercity – Medium Condition (Average Velocity : $20 < V < 40$ mi/h)
TYPE III	City – Severe Conditions (Average Velocity : $V < 20$ mi/h)
The maintenance intervals should be choosed according to the type of use. Any violation of the maintenance intervals may jeopardise the warranty.	

CONFIRMATION OF THE TYPE OF USE					
				Customer Signature	Service Signature
According to the type of use, this vehicle should be considered as Type					
Revision Number	Revision Date	Previous Type	New Type		

**VEHICLE MAINTENANCE
COUPON**
10.000 mile

This section is filled by the servicing dealer.

Signature/Stamp

Maintenance Date _____
Mileage _____
Registration plate: _____
Repair Maintenance Service (Workshop) _____

TEMSA VEHICLE MAINTENANCE COUPON
10.000 mile

Chassis No. _____
Country/County or (District) _____
Maintenance Date _____ Mileage _____
Vehicle work region _____ Registration Date _____
Registration Plate No. _____ Engine No. _____

Repair maintenance Service or (Atelier)

Signature/Stamp

ATTENTION
For the duration of the vehicle warranty cover,
Make the inspection of the vehicle at the proper time,
It is essential to use original genuine parts for inspection and
maintenance, and to use oils recommended by
TEMSA and this document should be keep by the Service.

USED MATERIALS

MATERIAL NUMBER	MATERIAL NAME	QUANTITY

- 1) IT'S AN OBLIGATION FOR THE CONTINUATION OF WARRANTY TO MAKE ALL THE PERIODICAL INSPECTIONS AT THE MILE'S WHICH HAD BEEN EXPLAINED ABOVE AT THE RIGHT TIME AND TO STAMP THE RELATED PARTS OF THE WORKSHOP MANUAL BY THE AUTHORIZED SERVICE.
- 2) PERIODIC MAINTENANCE COVER ABOVE THE TEMS.
- 3) COST OF THE GENUINE PARTS AND EXPENDING MATERIAL ARE SEPERATELY TAKEN THAT IS CHANGED AT THE DURING THE PERIODIC INSPECTION.
- 4) TO CONTINUATION OF WARRANTY, THE ORIGINAL GENUINE PARTS MUST BE USED NECESSARY (SUCH AS FILTER , BELT, SEAL ETC.)
- 5) ABOVE THE EXPLANATION MILE'S TO BE DISCUSSED IN THE EVENT THAT IF THE ONLY ORIGINAL GENUINE PART HED BEEN USED.

**VEHICLE MAINTENANCE
COUPON**
20.000 mile

This section is filled by the servicing dealer.

Signature/Stamp

Maintenance Date _____

Mileage _____

Registration plate: _____

Repair Maintenance Service (Workshop) _____

TEMSA VEHICLE MAINTENANCE COUPON
20.000 mile

Chassis No.

Country/County or (District)

Maintenance Date Mileage

Vehicle work region Registration Date

Registration Plate No. Engine No.

Repair maintenance Service or (Atelier)

Signature/Stamp

ATTENTION
For the duration of the vehicle warranty cover,
Make the inspection of the vehicle at the proper time,
It is essential to use original genuine parts for inspection and
maintenance, and to use oils recommended by
TEMSA and this document should be keep by the Service.

USED MATERIALS

MATERIAL NUMBER	MATERIAL NAME	QUANTITY

- 1) IT'S AN OBLIGATION FOR THE CONTINUATION OF WARRANTY TO MAKE ALL THE PERIODICAL INSPECTIONS AT THE MILE'S WHICH HAD BEEN EXPLAINED ABOVE AT THE RIGHT TIME AND TO STAMP THE RELATED PARTS OF THE WORKSHOP MANUAL BY THE AUTHORIZED SERVICE.
- 2) PERIODIC MAINTENANCE COVER ABOVE THE ITEMS.
- 3) COST OF THE GENUINE PARTS AND EXPENDING MATERIAL ARE SEPERATELY TAKEN THAT IS CHANGED AT THE DURING THE PERIODIC INSPECTION.
- 4) TO CONTINUATION OF WARRANTY, THE ORIGINAL GENUINE PARTS MUST BE USED NECESSARY (SUCH AS FILTER , BELT, SEAL ETC.)
- 5) ABOVE THE EXPLANATION MILE'S TO BE DISCUSSED IN THE EVENT THAT IF THE ONLY ORIGINAL GENUINE PART HED BEEN USED.

**VEHICLE MAINTENANCE
COUPON**
30.000 mile

This section is filled by the servicing dealer.

Signature/Stamp

Maintenance Date _____

Mileage _____

Registration plate: _____

Repair Maintenance Service (Workshop) _____

TEMSA VEHICLE MAINTENANCE COUPON
30.000 mile

Chassis No.

Country/County or (District)

Maintenance Date Mileage

Vehicle work region Registration Date

Registration Plate No. Engine No.

Repair maintenance Service or (Atelier)

Signature/Stamp

ATTENTION
For the duration of the vehicle warranty cover,
Make the inspection of the vehicle at the proper time,
It is essential to use original genuine parts for inspection and
maintenance, and to use oils recommended by
TEMSA and this document should be keep by the Service.

USED MATERIALS

MATERIAL NUMBER	MATERIAL NAME	QUANTITY

- 1) IT'S AN OBLIGATION FOR THE CONTINUATION OF WARRANTY TO MAKE ALL THE PERIODICAL INSPECTIONS AT THE MILE'S WHICH HAD BEEN EXPLAINED ABOVE AT THE RIGHT TIME AND TO STAMP THE RELATED PARTS OF THE WORKSHOP MANUAL BY THE AUTHORIZED SERVICE.
- 2) PERIODIC MAINTENANCE COVER ABOVE THE ITEMS.
- 3) COST OF THE GENUINE PARTS AND EXPENDING MATERIAL ARE SEPERATELY TAKEN THAT IS CHANGED AT THE DURING THE PERIODIC INSPECTION.
- 4) TO CONTINUATION OF WARRANTY, THE ORIGINAL GENUINE PARTS MUST BE USED NECESSARY (SUCH AS FILTER , BELT, SEAL ETC.)
- 5) ABOVE THE EXPLANATION MILE'S TO BE DISCUSSED IN THE EVENT THAT IF THE ONLY ORIGINAL GENUINE PART HED BEEN USED.

**VEHICLE MAINTENANCE
COUPON**
40.000 mile

This section is filled by the servicing dealer.

Signature/Stamp

Maintenance Date _____

Mileage _____

Registration plate: _____

Repair Maintenance Service (Workshop) _____

TEMSA VEHICLE MAINTENANCE COUPON
40.000 mile

Chassis No. _____

Country/County or (District) _____

Maintenance Date _____ Mileage _____

Vehicle work region _____ Registration Date _____

Registration Plate No. _____ Engine No. _____

Repair maintenance Service or (Atelier)

Signature/Stamp

ATTENTION
For the duration of the vehicle warranty cover,
Make the inspection of the vehicle at the proper time,
It is essential to use original genuine parts for inspection and
maintenance, and to use oils recommended by
TEMSA and this document should be keep by the Service.

USED MATERIALS

MATERIAL NUMBER	MATERIAL NAME	QUANTITY

- 1) IT'S AN OBLIGATION FOR THE CONTINUATION OF WARRANTY TO MAKE ALL THE PERIODICAL INSPECTIONS AT THE MILE'S WHICH HAD BEEN EXPLAINED ABOVE AT THE RIGHT TIME AND TO STAMP THE RELATED PARTS OF THE WORKSHOP MANUAL BY THE AUTHORIZED SERVICE.
- 2) PERIODIC MAINTENANCE COVER ABOVE THE ITEMS.
- 3) COST OF THE GENUINE PARTS AND EXPENDING MATERIAL ARE SEPERATELY TAKEN THAT IS CHANGED AT THE DURING THE PERIODIC INSPECTION.
- 4) TO CONTINUATION OF WARRANTY, THE ORIGINAL GENUINE PARTS MUST BE USED NECESSARY (SUCH AS FILTER , BELT, SEAL ETC.)
- 5) ABOVE THE EXPLANATION MILE'S TO BE DISCUSSED IN THE EVENT THAT IF THE ONLY ORIGINAL GENUINE PART HED BEEN USED.

NOTES

WARNING !

The maintenance intervals should be chosen according to the type of use. Any violation of the maintenance intervals may jeopardise the warranty. Check the type of use from page 25.

Signature of Service/Dealer

MAINTENANCE CHECK LIST (40.000 mile)

ENGINE

Check the Air Cleaner Restriction	
Inspect the fuel system for leaks	
Drain the water in the water-fuel separator	
Check the V-belts tension	
Check the AdBlue system for leaks	
Inspect the charge-air piping and hoses for leaks, holes, cracks, or loose connections.	
Inspect the charge-air cooler for dirt and debris blocking the fins.	
Clean the air filter	
Change the water-fuel separator filter	
Change the Fuel Filter	
Change the engine oil	
Change the engine oil filter	
Checking antifreeze density	
Change the Coolant Filter	
Checking and cleaning of the battery connection	
Checking the battery electrolyte level and density	
Check the Radiator Pressure Cap	
Clean and Inspect V-belts and pulley for Reuse (change if necessary)	

DRIVE TRAIN

Grease the propeller shaft	
Check the differential oil level	
Check the differential oil for leaks	
Check the fluid and the fluid level in the power steering reservoir or steering mechanism.	
Check the play, rattle, or shimmy in any part of the steering linkage or steering mechanism.	

BRAKE, AIR AND SUSPENSION SYSTEM

Check the brake system for air leaks	
Check the brake pads. If the backplate and friction material thickness is less than 1,2 mm, the pad must be replaced	
Check the brake discs. If the disc thickness is less than 37 mm or one side of disc abrasion is more than 4 mm, the disc must be replaced	
Check the suspension mountings	
Check the air bellows for leaks	

A/C SYSTEM

Check preheater function	
Check cooling system for leaks	
Check coolant pipework and screw couplings for anchorage, leaks and correct positioning	

Replace contaminated refrigerator oil	
Replace filter block dryer	
Check high and low pressure pressostats are working properly	
Check condenser controller pressure monitor is working properly (if present)	
Check compressor for leaks, anchorage and that it is working properly	
Check A/C compressor oil level	
Check compressor output regulator is working properly (if present)	
Check electromagnetic clutch for bearing noise and that it is working properly	
Check seals, locks and overall condition of system housing	
Check condition of electrical system and that it is working properly	
Check thermostat and controller	
Check fresh air vents are working properly	
Check the preheater electrical connection	
Check the heat exchanger of preheater	
Clean preheater exterior and interior	
Check the preheater fuel lines and connections for leaks	
Replace the preheater fuel filter with gasket	
Replace the preheater fuel filter screen with gaskets in pump	
Check the preheater burner head	
Replace the preheater atomizer nozzle	
Check the preheater exhaust line for contamination and clean as required	
ELECTRICITY SYSTEM	
Check the wiring of starter	
Clean the battery poles	
Check the electrolyte level and density	
CHASSIS AND BODY	
Check the mirror connections	
Checking the wheel nuts tightness	
Checking tire pressure	
Checking the spare tire connection	
Checking the function of all doors security fixings	
Checking and adjustment of luggage lids locks function (with greasing the lids hinges and locks)	
Checking the function, air leakage, tightness, damage of door system	
Wheel alignment adjustment	

**VEHICLE MAINTENANCE
COUPON**
50.000 mile

This section is filled by the servicing dealer.

Signature/Stamp

Maintenance Date _____

Mileage _____

Registration plate: _____

Repair Maintenance Service (Workshop) _____

TEMSA VEHICLE MAINTENANCE COUPON
50.000 mile

Chassis No.

Country/County or (District)

Maintenance Date Mileage

Vehicle work region Registration Date

Registration Plate No. Engine No.

Repair maintenance Service or (Atelier)

Signature/Stamp

ATTENTION
For the duration of the vehicle warranty cover,
Make the inspection of the vehicle at the proper time,
It is essential to use original genuine parts for inspection and
maintenance, and to use oils recommended by
TEMSA and this document should be keep by the Service.

USED MATERIALS

MATERIAL NUMBER	MATERIAL NAME	QUANTITY

- 1) IT'S AN OBLIGATION FOR THE CONTINUATION OF WARRANTY TO MAKE ALL THE PERIODICAL INSPECTIONS AT THE MILE'S WHICH HAD BEEN EXPLAINED ABOVE AT THE RIGHT TIME AND TO STAMP THE RELATED PARTS OF THE WORKSHOP MANUAL BY THE AUTHORIZED SERVICE.
- 2) PERIODIC MAINTENANCE COVER ABOVE THE ITEMS.
- 3) COST OF THE GENUINE PARTS AND EXPENDING MATERIAL ARE SEPERATELY TAKEN THAT IS CHANGED AT THE DURING THE PERIODIC INSPECTION.
- 4) TO CONTINUATION OF WARRANTY, THE ORIGINAL GENUINE PARTS MUST BE USED NECESSARY (SUCH AS FILTER , BELT, SEAL ETC.)
- 5) ABOVE THE EXPLANATION MILE'S TO BE DISCUSSED IN THE EVENT THAT IF THE ONLY ORIGINAL GENUINE PART HED BEEN USED.

NOTES

WARNING !

The maintenance intervals should be chosen according to the type of use. Any violation of the maintenance intervals may jeopardise the warranty. Check the type of use from page 25.

Signature of Service/Dealer

MAINTENANCE CHECK LIST (50.000 mile)	
ENGINE	
Check the Air Cleaner Restriction	
Inspect the fuel system for leaks	
Drain the water in the water-fuel separator	
Check the V-belts tension	
Check the AdBlue system for leaks	
Inspect the charge-air piping and hoses for leaks, holes, cracks, or loose connections.	
Inspect the charge-air cooler for dirt and debris blocking the fins.	
Clean the air filter	
DRIVE TRAIN	
Grease the propeller shaft	
Check the differential oil level	
Check the differential oil for leaks	
Check the fluid and the fluid level in the power steering reservoir or steering mechanism.	
Check the play, rattle, or shimmy in any part of the steering linkage or steering mechanism.	
Grease the front axle Steering knuckle	
Grease the front axle Control arm	
Replacement oil of Linnig fan drive system	
BRAKE, AIR AND SUSPENSION SYSTEM	
Check the brake system for air leaks	
Check the brake pads. If the backplate and friction material thickness is less than 1,2,2 mm, the pad must be replaced	
Check the brake discs. If the disc thickness is less than 37 mm or one side of disc abrasion is more than 4 mm, the disc must be replaced	
Check the suspension mountings	
Check the air bellows for leaks	

A/C SYSTEM	
Check preheater function.	
ELECTRICITY SYSTEM	
Check the wiring of starter	
Clean the battery poles	
Check the electrolyte level and density	
CHASSIS AND BODY	
Check the mirror connections	
Checking the wheel nuts tightness	
Checking tire pressure	
Checking the spare tire connection	
Checking the function of all doors security fixings	
Checking and adjustment of luggage lids locks function (with greasing the lids hinges and locks)	
Checking the function, air leakage, tightness, damage of door system	

**VEHICLE MAINTENANCE
COUPON
60.000 mile**

This section is filled by the servicing dealer.

Signature/Stamp

Maintenance Date _____

Mileage _____

Registration plate: _____

Repair Maintenance Service (Workshop) _____

TEMSA VEHICLE MAINTENANCE COUPON
60.000 mile

Chassis No. _____

Country/County or (District) _____

Maintenance Date _____ Mileage _____

Vehicle work region _____ Registration Date _____

Registration Plate No. _____ Engine No. _____

Repair maintenance Service or (Atelier)

Signature/Stamp

ATTENTION
For the duration of the vehicle warranty cover,
Make the inspection of the vehicle at the proper time,
It is essential to use original genuine parts for inspection and
maintenance, and to use oils recommended by
TEMSA and this document should be keep by the Service.

USED MATERIALS

MATERIAL NUMBER	MATERIAL NAME	QUANTITY

- 1) IT'S AN OBLIGATION FOR THE CONTINUATION OF WARRANTY TO MAKE ALL THE PERIODICAL INSPECTIONS AT THE MILE'S WHICH HAD BEEN EXPLAINED ABOVE AT THE RIGHT TIME AND TO STAMP THE RELATED PARTS OF THE WORKSHOP MANUAL BY THE AUTHORIZED SERVICE.
- 2) PERIODIC MAINTENANCE COVER ABOVE THE ITEMS.
- 3) COST OF THE GENUINE PARTS AND EXPENDING MATERIAL ARE SEPERATELY TAKEN THAT IS CHANGED AT THE DURING THE PERIODIC INSPECTION.
- 4) TO CONTINUATION OF WARRANTY, THE ORIGINAL GENUINE PARTS MUST BE USED NECESSARY (SUCH AS FILTER , BELT, SEAL ETC.)
- 5) ABOVE THE EXPLANATION MILE'S TO BE DISCUSSED IN THE EVENT THAT IF THE ONLY ORIGINAL GENUINE PART HED BEEN USED.

NOTES

WARNING !
 The maintenance intervals should be chosen according to the type of use. Any violation of the maintenance intervals may jeopardise the warranty. Check the type of use from page 25.

Signature of Service/Dealer

MAINTENANCE CHECK LIST (60.000 mile)	
ENGINE	
Check the Air Cleaner Restriction	
Inspect the fuel system for leaks	
Drain the water in the water-fuel separator	
Check the V-belts tension	
Check the AdBlue system for leaks	
Inspect the charge-air piping and hoses for leaks, holes, cracks, or loose connections.	
Inspect the charge-air cooler for dirt and debris blocking the fins.	
Clean the air filter	
Change the water-fuel separator filter	
Change the Fuel Filter	
Change the engine oil	
Change the engine oil filter	
Checking antifreeze density	
Change the Coolant Filter	
Checking and cleaning of the battery connection	
Checking the battery electrolyte level and density	
Check the Radiator Pressure Cap	
Change the Crankcase Breather Element	
DRIVE TRAIN	
Grease the propeller shaft	
Check the differential oil level	
Check the differential oil for leaks	
Check the fluid and the fluid level in the power steering reservoir or steering mechanism.	
Check the play, rattle, or shimmy in any part of the steering linkage or steering mechanism.	

BRAKE, AIR AND SUSPENSION SYSTEM	
Check the brake system for air leaks	
Check the brake pads. If the backplate and friction material thickness is less than 12,2 mm, the pad must be replaced	
Check the brake discs. If the disc thickness is less than 37 mm or one side of disc abrasion is more than 4 mm, the disc must be replaced	
Check the suspension mountings	
Check the air bellows for leaks	
A/C SYSTEM	
Check preheater function.	
ELECTRICITY SYSTEM	
Check the wiring of starter	
Clean the battery poles	
Check the electrolyte level and density	
CHASSIS AND BODY	
Check the mirror connections	
Checking the wheel nuts tightness	
Checking tire pressure	
Checking the spare tire connection	
Checking the function of all doors security fixings	
Checking and adjustment of luggage lids locks function (with greasing the lids hinges and locks)	
Checking the function, air leakage, tightness, damage of door system	
Wheel alignment adjustment	

**VEHICLE MAINTENANCE
COUPON**
70.000 mile

This section is filled by the servicing dealer.

Signature/Stamp

Maintenance Date _____

Mileage _____

Registration plate: _____

Repair Maintenance Service (Workshop) _____

TEMSA **VEHICLE MAINTENANCE COUPON**
70.000 mile

Chassis No.

Country/County or (District)

Maintenance Date Mileage

Vehicle work region Registration Date

Registration Plate No. Engine No.

Repair maintenance Service or (Atelier)

Signature/Stamp

ATTENTION
For the duration of the vehicle warranty cover,
Make the inspection of the vehicle at the proper time,
It is essential to use original genuine parts for inspection and
maintenance, and to use oils recommended by
TEMSA and this document should be keep by the Service.

USED MATERIALS

MATERIAL NUMBER	MATERIAL NAME	QUANTITY

- 1) IT'S AN OBLIGATION FOR THE CONTINUATION OF WARRANTY TO MAKE ALL THE PERIODICAL INSPECTIONS AT THE MILE'S WHICH HAD BEEN EXPLAINED ABOVE AT THE RIGHT TIME AND TO STAMP THE RELATED PARTS OF THE WORKSHOP MANUAL BY THE AUTHORIZED SERVICE.
- 2) PERIODIC MAINTENANCE COVER ABOVE THE ITEMS.
- 3) COST OF THE GENUINE PARTS AND EXPENDING MATERIAL ARE SEPERATELY TAKEN THAT IS CHANGED AT THE DURING THE PERIODIC INSPECTION.
- 4) TO CONTINUATION OF WARRANTY, THE ORIGINAL GENUINE PARTS MUST BE USED NECESSARY (SUCH AS FILTER , BELT, SEAL ETC.)
- 5) ABOVE THE EXPLANATION MILE'S TO BE DISCUSSED IN THE EVENT THAT IF THE ONLY ORIGINAL GENUINE PART HED BEEN USED.

NOTES

WARNING !

The maintenance intervals should be chosen according to the type of use. Any violation of the maintenance intervals may jeopardise the warranty. Check the type of use from page 25.

Signature of Service/Dealer

MAINTENANCE CHECK LIST (70.000 mile)	
ENGINE	
Check the Air Cleaner Restriction	
Inspect the fuel system for leaks	
Drain the water in the water-fuel separator	
Check the V-belts tension	
Check the AdBlue system for leaks	
Inspect the charge-air piping and hoses for leaks, holes, cracks, or loose connections.	
Inspect the charge-air cooler for dirt and debris blocking the fins.	
Clean the air filter	
DRIVE TRAIN	
Grease the propeller shaft	
Check the differential oil level	
Check the differential oil for leaks	
Check the fluid and the fluid level in the power steering reservoir or steering mechanism.	
Check the play, rattle, or shimmy in any part of the steering linkage or steering mechanism.	
Change the fluid in the steering system	
BRAKE, AIR AND SUSPENSION SYSTEM	
Check the brake system for air leaks	
Check the brake pads. If the backplate and friction material thickness is less than 1,2,2 mm, the pad must be replaced	
Check the brake discs. If the disc thickness is less than 37 mm or one side of disc abrasion is more than 4 mm, the disc must be replaced	
Check the suspension mountings	
Check the air bellows for leaks	

A/C SYSTEM	
Check preheater function.	
ELECTRICITY SYSTEM	
Check the wiring of starter	
Clean the battery poles	
Check the electrolyte level and density	
CHASSIS AND BODY	
Check the mirror connections	
Checking the wheel nuts tightness	
Checking tire pressure	
Checking the spare tire connection	
Checking the function of all doors security fixings	
Checking and adjustment of luggage lids locks function (with greasing the lids hinges and locks)	
Checking the function, air leakage, tightness, damage of door system	

**VEHICLE MAINTENANCE
COUPON**
80.000 mile

This section is filled by the servicing dealer.

Signature/Stamp

Maintenance Date _____

Mileage _____

Registration plate: _____

Repair Maintenance Service (Workshop) _____

TEMSA VEHICLE MAINTENANCE COUPON
80.000 mile

Chassis No.

Country/County or (District)

Maintenance Date Mileage

Vehicle work region Registration Date

Registration Plate No. Engine No.

Repair maintenance Service or (Atelier)

Signature/Stamp

ATTENTION
For the duration of the vehicle warranty cover,
Make the inspection of the vehicle at the proper time,
It is essential to use original genuine parts for inspection and
maintenance, and to use oils recommended by
TEMSA and this document should be keep by the Service.

USED MATERIALS

MATERIAL NUMBER	MATERIAL NAME	QUANTITY

- 1) IT'S AN OBLIGATION FOR THE CONTINUATION OF WARRANTY TO MAKE ALL THE PERIODICAL INSPECTIONS AT THE MILE'S WHICH HAD BEEN EXPLAINED ABOVE AT THE RIGHT TIME AND TO STAMP THE RELATED PARTS OF THE WORKSHOP MANUAL BY THE AUTHORIZED SERVICE.
- 2) PERIODIC MAINTENANCE COVER ABOVE THE ITEMS.
- 3) COST OF THE GENUINE PARTS AND EXPENDING MATERIAL ARE SEPERATELY TAKEN THAT IS CHANGED AT THE DURING THE PERIODIC INSPECTION.
- 4) TO CONTINUATION OF WARRANTY, THE ORIGINAL GENUINE PARTS MUST BE USED NECESSARY (SUCH AS FILTER , BELT, SEAL ETC.)
- 5) ABOVE THE EXPLANATION MILE'S TO BE DISCUSSED IN THE EVENT THAT IF THE ONLY ORIGINAL GENUINE PART HED BEEN USED.

NOTES

WARNING !

The maintenance intervals should be chosen according to the type of use. Any violation of the maintenance intervals may jeopardise the warranty. Check the type of use from page 25.

Signature of Service/Dealer

MAINTENANCE CHECK LIST (80.000 mile)	
ENGINE	
Check the Air Cleaner Restriction	
Inspect the fuel system for leaks	
Drain the water in the water-fuel separator	
Check the V-belts tension	
Check the AdBlue system for leaks	
Inspect the charge-air piping and hoses for leaks, holes, cracks, or loose connections.	
Inspect the charge-air cooler for dirt and debris blocking the fins.	
Clean the air filter	
Change the water-fuel separator filter	
Change the Fuel Filter	
Change the engine oil	
Change the engine oil filter	
Checking antifreeze density	
Change the Coolant Filter	
Checking and cleaning of the battery connection	
Checking the battery electrolyte level and density	
Check the Radiator Pressure Cap	
Clean and Inspect V-belts and pulley for Reuse (change if necessary)	
Change the engine coolant	
Check the Vibration Damper, Rubber	
Check the Vibration Damper, Viscous	
Clean the engine with steam	
Check the Radiator Hoses	
Clean the Air Compressor Discharge Lines	
DRIVE TRAIN	
Grease the propeller shaft	
Check the differential oil level	
Check the differential oil for leaks	
Check the fluid and the fluid level in the power steering reservoir or steering mechanism.	
Check the play, rattle, or shimmy in any part of the steering linkage or steering mechanism.	
Change the transmission oil filter	
BRAKE, AIR AND SUSPENSION SYSTEM	
Check the brake system for air leaks	
Check the brake pads. If the backplate and friction material thickness is less than 1,2 mm, the pad must be replaced	
Check the brake discs. If the disc thickness is less than 37 mm or one side of disc abrasion is more than 4 mm, the disc must be replaced	
Check the suspension mountings	
Check the air bellows for leaks	

A/C SYSTEM	
Check preheater function.	
Check cooling system for leaks	
Check coolant pipework and screw couplings for anchorage, leaks and correct positioning	
Replace contaminated refrigerant oil	
Replace filter block dryer	
Check high and low pressure pressostats are working properly	
Check condenser controller pressure monitor is working properly (if present)	
Check compressor for leaks, anchorage and that it is working properly	
Check A/C compressor oil level	
Check compressor output regulator is working properly (if present)	
Check electromagnetic clutch for bearing noise and that it is working properly	
Check seals, locks and overall condition of system housing	
Check condition of electrical system and that it is working properly	
Check thermostat and controller	
Check fresh air vents are working properly	
Check the preheater electrical connection	
Check the heat exchanger of preheater	
Clean preheater exterior and interior	
Check the preheater fuel lines and connections for leaks	
Replace the preheater fuel filter with gasket	
Replace the preheater fuel filter screen with gaskets in pump	
Check the preheater burner head	
Replace the preheater atomizer nozzle	
Check the preheater exhaust line for contamination and clean as required	
Change the pollen filter	
ELECTRICITY SYSTEM	
Check the wiring of starter	
Clean the battery poles	
Check the electrolyte level and density	
CHASSIS AND BODY	
Check the mirror connections	
Checking the wheel nuts tightness	
Checking tire pressure	
Checking the spare tire connection	
Checking the function of all doors security fixings	
Checking and adjustment of luggage lids locks function (with greasing the lids hinges and locks)	
Checking the function, air leakage, tightness, damage of door system	
Wheel alignment adjustment	

**VEHICLE MAINTENANCE
COUPON**
90.000 mile

This section is filled by the servicing dealer.

Signature/Stamp

Maintenance Date _____

Mileage _____

Registration plate: _____

Repair Maintenance Service (Workshop) _____

TEMSA VEHICLE MAINTENANCE COUPON
90.000 mile

Chassis No. _____

Country/County or (District) _____

Maintenance Date _____ Mileage _____

Vehicle work region _____ Registration Date _____

Registration Plate No. _____ Engine No. _____

Repair maintenance Service or (Atelier)

Signature/Stamp

ATTENTION
For the duration of the vehicle warranty cover,
Make the inspection of the vehicle at the proper time,
It is essential to use original genuine parts for inspection and
maintenance, and to use oils recommended by
TEMSA and this document should be keep by the Service.

USED MATERIALS

MATERIAL NUMBER	MATERIAL NAME	QUANTITY

- 1) IT'S AN OBLIGATION FOR THE CONTINUATION OF WARRANTY TO MAKE ALL THE PERIODICAL INSPECTIONS AT THE MILE'S WHICH HAD BEEN EXPLAINED ABOVE AT THE RIGHT TIME AND TO STAMP THE RELATED PARTS OF THE WORKSHOP MANUAL BY THE AUTHORIZED SERVICE.
- 2) PERIODIC MAINTENANCE COVER ABOVE THE ITEMS.
- 3) COST OF THE GENUINE PARTS AND EXPENDING MATERIAL ARE SEPERATELY TAKEN THAT IS CHANGED AT THE DURING THE PERIODIC INSPECTION.
- 4) TO CONTINUATION OF WARRANTY, THE ORIGINAL GENUINE PARTS MUST BE USED NECESSARY (SUCH AS FILTER , BELT, SEAL ETC.)
- 5) ABOVE THE EXPLANATION MILE'S TO BE DISCUSSED IN THE EVENT THAT IF THE ONLY ORIGINAL GENUINE PART HED BEEN USED.

NOTES

WARNING !

The maintenance intervals should be chosen according to the type of use. Any violation of the maintenance intervals may jeopardise the warranty. Check the type of use from page 25.

Signature of Service/Dealer

MAINTENANCE CHECK LIST (90.000 mile)	
ENGINE	
Check the Air Cleaner Restriction	
Inspect the fuel system for leaks	
Drain the water in the water-fuel separator	
Check the V-belts tension	
Check the AdBlue system for leaks	
Inspect the charge-air piping and hoses for leaks, holes, cracks, or loose connections.	
Inspect the charge-air cooler for dirt and debris blocking the fins.	
Change the air filter	
DRIVE TRAIN	
Grease the propeller shaft	
Check the differential oil level	
Check the differential oil for leaks	
Check the fluid and the fluid level in the power steering reservoir or steering mechanism.	
Check the play, rattle, or shimmy in any part of the steering linkage or steering mechanism.	
Change the differential breather valve	
Change the differential oil	
BRAKE, AIR AND SUSPENSION SYSTEM	
Check the brake system for air leaks	
Check the brake pads. If the backplate and friction material thickness is less than 1,2 mm, the pad must be replaced	
Check the brake discs. If the disc thickness is less than 37 mm or one side of disc abrasion is more than 4 mm, the disc must be replaced	
Check the suspension mountings	
Check the air bellows for leaks	
Change the air dryer filter	

A/C SYSTEM	
Check preheater function.	
ELECTRICITY SYSTEM	
Check the wiring of starter	
Clean the battery poles	
Check the electrolyte level and density	
CHASSIS AND BODY	
Check the mirror connections	
Checking the wheel nuts tightness	
Checking tire pressure	
Checking the spare tire connection	
Checking the function of all doors security fixings	
Checking and adjustment of luggage lids locks function (with greasing the lids hinges and locks)	
Checking the function, air leakage, tightness, damage of door system	

**VEHICLE MAINTENANCE
COUPON**
100.000 mile

This section is filled by the servicing dealer.

Signature/Stamp

Maintenance Date _____

Mileage _____

Registration plate: _____

Repair Maintenance Service (Workshop) _____

TEMSA VEHICLE MAINTENANCE COUPON
100.000 mile

Chassis No.

Country/County or (District)

Maintenance Date Mileage

Vehicle work region Registration Date

Registration Plate No. Engine No.

Repair maintenance Service or (Atelier)

Signature/Stamp

ATTENTION
For the duration of the vehicle warranty cover,
Make the inspection of the vehicle at the proper time,
It is essential to use original genuine parts for inspection and
maintenance, and to use oils recommended by
TEMSA and this document should be keep by the Service.

USED MATERIALS

MATERIAL NUMBER	MATERIAL NAME	QUANTITY

- 1) IT'S AN OBLIGATION FOR THE CONTINUATION OF WARRANTY TO MAKE ALL THE PERIODICAL INSPECTIONS AT THE MILE'S WHICH HAD BEEN EXPLAINED ABOVE AT THE RIGHT TIME AND TO STAMP THE RELATED PARTS OF THE WORKSHOP MANUAL BY THE AUTHORIZED SERVICE.
- 2) PERIODIC MAINTENANCE COVER ABOVE THE ITEMS.
- 3) COST OF THE GENUINE PARTS AND EXPENDING MATERIAL ARE SEPERATELY TAKEN THAT IS CHANGED AT THE DURING THE PERIODIC INSPECTION.
- 4) TO CONTINUATION OF WARRANTY, THE ORIGINAL GENUINE PARTS MUST BE USED NECESSARY (SUCH AS FILTER , BELT, SEAL ETC.)
- 5) ABOVE THE EXPLANATION MILE'S TO BE DISCUSSED IN THE EVENT THAT IF THE ONLY ORIGINAL GENUINE PART HED BEEN USED.

NOTES

WARNING !

The maintenance intervals should be chosen according to the type of use. Any violation of the maintenance intervals may jeopardise the warranty. Check the type of use from page 25.

Signature of Service/Dealer

MAINTENANCE CHECK LIST (100.000 mile)

ENGINE

Check the Air Cleaner Restriction	
Inspect the fuel system for leaks	
Drain the water in the water-fuel separator	
Check the V-belts tension	
Check the AdBlue system for leaks	
Inspect the charge-air piping and hoses for leaks, holes, cracks, or loose connections.	
Inspect the charge-air cooler for dirt and debris blocking the fins.	
Clean the air filter	
Change the water-fuel separator filter	
Change the Fuel Filter	
Change the engine oil	
Change the engine oil filter	
Checking antifreeze density	
Change the Coolant Filter	
Checking and cleaning of the battery connection	
Checking the battery electrolyte level and density	
Check the Radiator Pressure Cap	

DRIVE TRAIN

Grease the propeller shaft	
Check the differential oil level	
Check the differential oil for leaks	
Check the fluid and the fluid level in the power steering reservoir or steering mechanism.	
Check the play, rattle, or shimmy in any part of the steering linkage or steering mechanism.	
Grease the front axle Steering knuckle	
Grease the front axle Control arm	
Replacement oil of Linnig fan drive system	

BRAKE, AIR AND SUSPENSION SYSTEM

Check the brake system for air leaks	
Check the brake pads. If the backplate and friction material thickness is less than 12,2 mm, the pad must be replaced	
Check the brake discs. If the disc thickness is less than 37 mm or one side of disc abrasion is more than 4 mm, the disc must be replaced	
Check the suspension mountings	
Check the air bellows for leaks	

A/C SYSTEM

Check preheater function.	
---------------------------	--

ELECTRICITY SYSTEM

Check the wiring of starter	
Clean the battery poles	
Check the electrolyte level and density	

CHASSIS AND BODY

Check the mirror connections	
Checking the wheel nuts tightness	
Checking tire pressure	
Checking the spare tire connection	
Checking the function of all doors security fixings	
Checking and adjustment of luggage lids locks function (with greasing the lids hinges and locks)	
Checking the function, air leakage, tightness, damage of door system	
Wheel alignment adjustment	

**VEHICLE MAINTENANCE
COUPON**
110.000 mile

This section is filled by the servicing dealer.

Signature/Stamp

Maintenance Date _____

Mileage _____

Registration plate: _____

Repair Maintenance Service (Workshop) _____

TEMSA VEHICLE MAINTENANCE COUPON
110.000 mile

Chassis No.

Country/County or (District)

Maintenance Date Mileage

Vehicle work region Registration Date

Registration Plate No. Engine No.

Repair maintenance Service or (Atelier)

Signature/Stamp

ATTENTION
For the duration of the vehicle warranty cover,
Make the inspection of the vehicle at the proper time,
It is essential to use original genuine parts for inspection and
maintenance, and to use oils recommended by
TEMSA and this document should be keep by the Service.

USED MATERIALS

MATERIAL NUMBER	MATERIAL NAME	QUANTITY

- 1) IT'S AN OBLIGATION FOR THE CONTINUATION OF WARRANTY TO MAKE ALL THE PERIODICAL INSPECTIONS AT THE MILE'S WHICH HAD BEEN EXPLAINED ABOVE AT THE RIGHT TIME AND TO STAMP THE RELATED PARTS OF THE WORKSHOP MANUAL BY THE AUTHORIZED SERVICE.
- 2) PERIODIC MAINTENANCE COVER ABOVE THE ITEMS.
- 3) COST OF THE GENUINE PARTS AND EXPENDING MATERIAL ARE SEPERATELY TAKEN THAT IS CHANGED AT THE DURING THE PERIODIC INSPECTION.
- 4) TO CONTINUATION OF WARRANTY, THE ORIGINAL GENUINE PARTS MUST BE USED NECESSARY (SUCH AS FILTER , BELT, SEAL ETC.)
- 5) ABOVE THE EXPLANATION MILE'S TO BE DISCUSSED IN THE EVENT THAT IF THE ONLY ORIGINAL GENUINE PART HED BEEN USED.

NOTES	

WARNING !

The maintenance intervals should be chosen according to the type of use. Any violation of the maintenance intervals may jeopardise the warranty. Check the type of use from page 25.

Signature of Service/Dealer

MAINTENANCE CHECK LIST (110.000 mile)	
ENGINE	
Check the Air Cleaner Restriction	
Inspect the fuel system for leaks	
Drain the water in the water-fuel separator	
Check the V-belts tension	
Check the AdBlue system for leaks	
Inspect the charge-air piping and hoses for leaks, holes, cracks, or loose connections.	
Inspect the charge-air cooler for dirt and debris blocking the fins.	
Clean the air filter	
DRIVE TRAIN	
Grease the propeller shaft	
Check the differential oil level	
Check the differential oil for leaks	
Check the fluid and the fluid level in the power steering reservoir or steering mechanism.	
Check the play, rattle, or shimmy in any part of the steering linkage or steering mechanism.	
BRAKE, AIR AND SUSPENSION SYSTEM	
Check the brake system for air leaks	
Check the brake pads. If the backplate and friction material thickness is less than 12,2 mm, the pad must be replaced	
Check the brake discs. If the disc thickness is less than 37 mm or one side of disc abrasion is more than 4 mm, the disc must be replaced	
Check the suspension mountings	
Check the air bellows for leaks	

A/C SYSTEM	
Check preheater function.	
ELECTRICITY SYSTEM	
Check the wiring of starter	
Clean the battery poles	
Check the electrolyte level and density	
CHASSIS AND BODY	
Check the mirror connections	
Checking the wheel nuts tightness	
Checking tire pressure	
Checking the spare tire connection	
Checking the function of all doors security fixings	
Checking and adjustment of luggage lids locks function (with greasing the lids hinges and locks)	
Checking the function, air leakage, tightness, damage of door system	

**VEHICLE MAINTENANCE
COUPON**
120.000 mile

This section is filled by the servicing dealer.

Signature/Stamp

Maintenance Date _____

Mileage _____

Registration plate: _____

Repair Maintenance Service (Workshop) _____

TEMSA VEHICLE MAINTENANCE COUPON
120.000 mile

Chassis No.

Country/County or (District)

Maintenance Date Mileage

Vehicle work region Registration Date

Registration Plate No. Engine No.

Repair maintenance Service or (Atelier)

Signature/Stamp

ATTENTION
For the duration of the vehicle warranty cover,
Make the inspection of the vehicle at the proper time,
It is essential to use original genuine parts for inspection and
maintenance, and to use oils recommended by
TEMSA and this document should be keep by the Service.

USED MATERIALS

MATERIAL NUMBER	MATERIAL NAME	QUANTITY

- 1) IT'S AN OBLIGATION FOR THE CONTINUATION OF WARRANTY TO MAKE ALL THE PERIODICAL INSPECTIONS AT THE MILE'S WHICH HAD BEEN EXPLAINED ABOVE AT THE RIGHT TIME AND TO STAMP THE RELATED PARTS OF THE WORKSHOP MANUAL BY THE AUTHORIZED SERVICE.
- 2) PERIODIC MAINTENANCE COVER ABOVE THE ITEMS.
- 3) COST OF THE GENUINE PARTS AND EXPENDING MATERIAL ARE SEPERATELY TAKEN THAT IS CHANGED AT THE DURING THE PERIODIC INSPECTION.
- 4) TO CONTINUATION OF WARRANTY, THE ORIGINAL GENUINE PARTS MUST BE USED NECESSARY (SUCH AS FILTER , BELT, SEAL ETC.)
- 5) ABOVE THE EXPLANATION MILE'S TO BE DISCUSSED IN THE EVENT THAT IF THE ONLY ORIGINAL GENUINE PART HED BEEN USED.

NOTES

WARNING !

The maintenance intervals should be chosen according to the type of use. Any violation of the maintenance intervals may jeopardise the warranty. Check the type of use from page 25.

Signature of Service/Dealer

MAINTENANCE CHECK LIST (120.000 mile)	
ENGINE	
Check the Air Cleaner Restriction	
Inspect the fuel system for leaks	
Drain the water in the water-fuel separator	
Check the V-belts tension	
Check the AdBlue system for leaks	
Inspect the charge-air piping and hoses for leaks, holes, cracks, or loose connections.	
Inspect the charge-air cooler for dirt and debris blocking the fins.	
Clean the air filter	
Change the water-fuel separator filter	
Change the Fuel Filter	
Change the engine oil	
Change the engine oil filter	
Checking antifreeze density	
Change the Coolant Filter	
Checking and cleaning of the battery connection	
Checking the battery electrolyte level and density	
Check the Radiator Pressure Cap	
Clean and Inspect V-belts and pulley for Reuse (change if necessary)	
Change the Crankcase Breather Element	
DRIVE TRAIN	
Grease the propeller shaft	
Check the differential oil level	
Check the differential oil for leaks	
Check the fluid and the fluid level in the power steering reservoir or steering mechanism.	
Check the play, rattle, or shimmy in any part of the steering linkage or steering mechanism.	
BRAKE, AIR AND SUSPENSION SYSTEM	
Check the brake system for air leaks	
Check the brake pads. If the backplate and friction material thickness is less than 12,2 mm, the pad must be replaced	
Check the brake discs. If the disc thickness is less than 37 mm or one side of disc abrasion is more than 4 mm, the disc must be replaced	
Check the suspension mountings	
Check the air bellows for leaks	
A/C SYSTEM	
Check preheater function.	
Check cooling system for leaks	
Check coolant pipework and screw couplings for anchorage, leaks and correct positioning	

Replace contaminated refrigerator oil	
Replace filter block dryer	
Check high and low pressure prestostats are working properly	
Check condenser controller pressure monitor is working properly (if present)	
Check compressor for leaks, anchorage and that it is working properly	
Check A/C compressor oil level	
Check compressor output regulator is working properly (if present)	
Check electromagnetic clutch for bearing noise and that it is working properly	
Check seals, locks and overall condition of system housing	
Check condition of electrical system and that it is working properly	
Check thermostat and controller	
Check fresh air vents are working properly	
Check the preheater electrical connection	
Check the heat exchanger of preheater	
Clean preheater exterior and interior	
Check the preheater fuel lines and connections for leaks	
Replace the preheater fuel filter with gasket	
Replace the preheater fuel filter screen with gaskets in pump	
Check the preheater burner head	
Replace the preheater atomizer nozzle	
Check the preheater exhaust line for contamination and clean as required	
ELECTRICITY SYSTEM	
Check the wiring of starter	
Clean the battery poles	
Check the electrolyte level and density	
CHASSIS AND BODY	
Check the mirror connections	
Checking the wheel nuts tightness	
Checking tire pressure	
Checking the spare tire connection	
Checking the function of all doors security fixings	
Checking and adjustment of luggage lids locks function (with greasing the lids hinges and locks)	
Checking the function, air leakage, tightness, damage of door system	
Wheel alignment adjustment	

**VEHICLE MAINTENANCE
COUPON**
130.000 mile

This section is filled by the servicing dealer.

Signature/Stamp

Maintenance Date _____

Mileage _____

Registration plate: _____

Repair Maintenance Service (Workshop) _____

TEMSA VEHICLE MAINTENANCE COUPON
130.000 mile

Chassis No.

Country/County or (District)

Maintenance Date Mileage

Vehicle work region Registration Date

Registration Plate No. Engine No.

Repair maintenance Service or (Atelier)

Signature/Stamp

ATTENTION
For the duration of the vehicle warranty cover,
Make the inspection of the vehicle at the proper time,
It is essential to use original genuine parts for inspection and
maintenance, and to use oils recommended by
TEMSA and this document should be keep by the Service.

USED MATERIALS

MATERIAL NUMBER	MATERIAL NAME	QUANTITY

- 1) IT'S AN OBLIGATION FOR THE CONTINUATION OF WARRANTY TO MAKE ALL THE PERIODICAL INSPECTIONS AT THE MILE'S WHICH HAD BEEN EXPLAINED ABOVE AT THE RIGHT TIME AND TO STAMP THE RELATED PARTS OF THE WORKSHOP MANUAL BY THE AUTHORIZED SERVICE.
- 2) PERIODIC MAINTENANCE COVER ABOVE THE ITEMS.
- 3) COST OF THE GENUINE PARTS AND EXPENDING MATERIAL ARE SEPERATELY TAKEN THAT IS CHANGED AT THE DURING THE PERIODIC INSPECTION.
- 4) TO CONTINUATION OF WARRANTY, THE ORIGINAL GENUINE PARTS MUST BE USED NECESSARY (SUCH AS FILTER , BELT, SEAL ETC.)
- 5) ABOVE THE EXPLANATION MILE'S TO BE DISCUSSED IN THE EVENT THAT IF THE ONLY ORIGINAL GENUINE PART HED BEEN USED.

NOTES

WARNING !

The maintenance intervals should be chosen according to the type of use. Any violation of the maintenance intervals may jeopardise the warranty. Check the type of use from page 25.

Signature of Service/Dealer

MAINTENANCE CHECK LIST (130.000 mile)**ENGINE**

Check the Air Cleaner Restriction	
Inspect the fuel system for leaks	
Drain the water in the water-fuel separator	
Check the V-belts tension	
Check the AdBlue system for leaks	
Inspect the charge-air piping and hoses for leaks, holes, cracks, or loose connections.	
Inspect the charge-air cooler for dirt and debris blocking the fins.	
Clean the air filter	

DRIVE TRAIN

Grease the propeller shaft	
Check the differential oil level	
Check the differential oil for leaks	
Check the fluid and the fluid level in the power steering reservoir or steering mechanism.	
Check the play, rattle, or shimmy in any part of the steering linkage or steering mechanism.	

BRAKE, AIR AND SUSPENSION SYSTEM

Check the brake system for air leaks	
Check the brake pads. If the backplate and friction material thickness is less than 12,2 mm, the pad must be replaced	
Check the brake discs. If the disc thickness is less than 37 mm or one side of disc abrasion is more than 4 mm, the disc must be replaced	
Check the suspension mountings	
Check the air bellows for leaks	

A/C SYSTEM

Check preheater function.	
---------------------------	--

ELECTRICITY SYSTEM

Check the wiring of starter	
Clean the battery poles	
Check the electrolyte level and density	

CHASSIS AND BODY

Check the mirror connections	
Checking the wheel nuts tightness	
Checking tire pressure	
Checking the spare tire connection	
Checking the function of all doors security fixings	
Checking and adjustment of luggage lids locks function (with greasing the lids hinges and locks)	
Checking the function, air leakage, tightness, damage of door system	

**VEHICLE MAINTENANCE
COUPON**
140.000 mile

This section is filled by the servicing dealer.

Signature/Stamp

Maintenance Date _____
 Mileage _____
 Registration plate: _____
 Repair Maintenance Service (Workshop) _____

TEMSA VEHICLE MAINTENANCE COUPON
140.000 mile

Chassis No.

Country/County or (District)

Maintenance Date Mileage

Vehicle work region Registration Date

Registration Plate No. Engine No.

Repair maintenance Service or (Atelier)

Signature/Stamp

ATTENTION
 For the duration of the vehicle warranty cover,
 Make the inspection of the vehicle at the proper time,
 It is essential to use original genuine parts for inspection and
 maintenance, and to use oils recommended by
 TEMSA and this document should be keep by the Service.

USED MATERIALS

MATERIAL NUMBER	MATERIAL NAME	QUANTITY

- 1) IT'S AN OBLIGATION FOR THE CONTINUATION OF WARRANTY TO MAKE ALL THE PERIODICAL INSPECTIONS AT THE MILE'S WHICH HAD BEEN EXPLAINED ABOVE AT THE RIGHT TIME AND TO STAMP THE RELATED PARTS OF THE WORKSHOP MANUAL BY THE AUTHORIZED SERVICE.
- 2) PERIODIC MAINTENANCE COVER ABOVE THE ITEMS.
- 3) COST OF THE GENUINE PARTS AND EXPENDING MATERIAL ARE SEPERATELY TAKEN THAT IS CHANGED AT THE DURING THE PERIODIC INSPECTION.
- 4) TO CONTINUATION OF WARRANTY, THE ORIGINAL GENUINE PARTS MUST BE USED NECESSARY (SUCH AS FILTER , BELT, SEAL ETC.)
- 5) ABOVE THE EXPLANATION MILE'S TO BE DISCUSSED IN THE EVENT THAT IF THE ONLY ORIGINAL GENUINE PART HED BEEN USED.

NOTES

WARNING !

The maintenance intervals should be chosen according to the type of use. Any violation of the maintenance intervals may jeopardise the warranty. Check the type of use from page 25.

Signature of Service/Dealer

MAINTENANCE CHECK LIST (140.000 mile)

ENGINE

Check the Air Cleaner Restriction	
Inspect the fuel system for leaks	
Drain the water in the water-fuel separator	
Check the V-belts tension	
Check the AdBlue system for leaks	
Inspect the charge-air piping and hoses for leaks, holes, cracks, or loose connections.	
Inspect the charge-air cooler for dirt and debris blocking the fins.	
Clean the air filter	
Change the water-fuel separator filter	
Change the Fuel Filter	
Change the engine oil	
Change the engine oil filter	
Checking antifreeze density	
Change the Coolant Filter	
Checking and cleaning of the battery connection	
Checking the battery electrolyte level and density	
Check the Radiator Pressure Cap	

DRIVE TRAIN

Grease the propeller shaft	
Check the differential oil level	
Check the differential oil for leaks	
Check the fluid and the fluid level in the power steering reservoir or steering mechanism.	
Check the play, rattle, or shimmy in any part of the steering linkage or steering mechanism.	
Change the fluid in the steering system	

BRAKE, AIR AND SUSPENSION SYSTEM

Check the brake system for air leaks	
Check the brake pads. If the backplate and friction material thickness is less than 12,2 mm, the pad must be replaced	
Check the brake discs. If the disc thickness is less than 37 mm or one side of disc abrasion is more than 4 mm, the disc must be replaced	
Check the suspension mountings	
Check the air bellows for leaks	

A/C SYSTEM

Check preheater function.	
---------------------------	--

ELECTRICITY SYSTEM

Check the wiring of starter	
Clean the battery poles	
Check the electrolyte level and density	

CHASSIS AND BODY

Check the mirror connections	
Checking the wheel nuts tightness	
Checking tire pressure	
Checking the spare tire connection	
Checking the function of all doors security fixings	
Checking and adjustment of luggage lids locks function (with greasing the lids hinges and locks)	
Checking the function, air leakage, tightness, damage of door system	
Wheel alignment adjustment	

**VEHICLE MAINTENANCE
COUPON**
150.000 mile

This section is filled by the servicing dealer.

Signature/Stamp

Maintenance Date _____

Mileage _____

Registration plate: _____

Repair Maintenance Service (Workshop) _____

TEMSA VEHICLE MAINTENANCE COUPON
150.000 mile

Chassis No.

Country/County or (District)

Maintenance Date Mileage

Vehicle work region Registration Date

Registration Plate No. Engine No.

Repair maintenance Service or (Atelier)

Signature/Stamp

ATTENTION
For the duration of the vehicle warranty cover,
Make the inspection of the vehicle at the proper time,
It is essential to use original genuine parts for inspection and
maintenance, and to use oils recommended by
TEMSA and this document should be keep by the Service.

USED MATERIALS

MATERIAL NUMBER	MATERIAL NAME	QUANTITY

- 1) IT'S AN OBLIGATION FOR THE CONTINUATION OF WARRANTY TO MAKE ALL THE PERIODICAL INSPECTIONS AT THE MILE'S WHICH HAD BEEN EXPLAINED ABOVE AT THE RIGHT TIME AND TO STAMP THE RELATED PARTS OF THE WORKSHOP MANUAL BY THE AUTHORIZED SERVICE.
- 2) PERIODIC MAINTENANCE COVER ABOVE THE ITEMS.
- 3) COST OF THE GENUINE PARTS AND EXPENDING MATERIAL ARE SEPERATELY TAKEN THAT IS CHANGED AT THE DURING THE PERIODIC INSPECTION.
- 4) TO CONTINUATION OF WARRANTY, THE ORIGINAL GENUINE PARTS MUST BE USED NECESSARY (SUCH AS FILTER , BELT, SEAL ETC.)
- 5) ABOVE THE EXPLANATION MILE'S TO BE DISCUSSED IN THE EVENT THAT IF THE ONLY ORIGINAL GENUINE PART HED BEEN USED.

NOTES

WARNING !

The maintenance intervals should be chosen according to the type of use. Any violation of the maintenance intervals may jeopardise the warranty. Check the type of use from page 25.

Signature of Service/Dealer

MAINTENANCE CHECK LIST (150.000 mile)	
ENGINE	
Check the Air Cleaner Restriction	
Inspect the fuel system for leaks	
Drain the water in the water-fuel separator	
Check the V-belts tension	
Check the AdBlue system for leaks	
Inspect the charge-air piping and hoses for leaks, holes, cracks, or loose connections.	
Inspect the charge-air cooler for dirt and debris blocking the fins.	
Clean the air filter	
Adjust the Overhead Set	
Inspect the engine brake assembly for cracks or any other damage.	
Adjust the Engine Brake Assembly	
DRIVE TRAIN	
Grease the propeller shaft	
Check the differential oil level	
Check the differential oil for leaks	
Check the fluid and the fluid level in the power steering reservoir or steering mechanism.	
Check the play, rattle, or shimmy in any part of the steering linkage or steering mechanism.	
Grease the front axle Steering knuckle	
Grease the front axle Control arm	
Replacement oil of Linnig fan drive system	

BRAKE, AIR AND SUSPENSION SYSTEM	
Check the brake system for air leaks	
Check the brake pads. If the backplate and friction material thickness is less than 12,2 mm, the pad must be replaced	
Check the brake discs. If the disc thickness is less than 37 mm or one side of disc abrasion is more than 4 mm, the disc must be replaced	
Check the suspension mountings	
Check the air bellows for leaks	
A/C SYSTEM	
Check preheater function.	
ELECTRICITY SYSTEM	
Check the wiring of starter	
Clean the battery poles	
Check the electrolyte level and density	
CHASSIS AND BODY	
Check the mirror connections	
Checking the wheel nuts tightness	
Checking tire pressure	
Checking the spare tire connection	
Checking the function of all doors security fixings	
Checking and adjustment of luggage lids locks function (with greasing the lids hinges and locks)	
Checking the function, air leakage, tightness, damage of door system	

**VEHICLE MAINTENANCE
COUPON**
160.000 mile

This section is filled by the servicing dealer.

Signature/Stamp

Maintenance Date _____

Mileage _____

Registration plate: _____

Repair Maintenance Service (Workshop) _____

TEMSA VEHICLE MAINTENANCE COUPON
160.000 mile

Chassis No.

Country/County or (District)

Maintenance Date Mileage

Vehicle work region Registration Date

Registration Plate No. Engine No.

Repair maintenance Service or (Atelier)

Signature/Stamp

ATTENTION
For the duration of the vehicle warranty cover,
Make the inspection of the vehicle at the proper time,
It is essential to use original genuine parts for inspection and
maintenance, and to use oils recommended by
TEMSA and this document should be keep by the Service.

USED MATERIALS

MATERIAL NUMBER	MATERIAL NAME	QUANTITY

- 1) IT'S AN OBLIGATION FOR THE CONTINUATION OF WARRANTY TO MAKE ALL THE PERIODICAL INSPECTIONS AT THE MILE'S WHICH HAD BEEN EXPLAINED ABOVE AT THE RIGHT TIME AND TO STAMP THE RELATED PARTS OF THE WORKSHOP MANUAL BY THE AUTHORIZED SERVICE.
- 2) PERIODIC MAINTENANCE COVER ABOVE THE ITEMS.
- 3) COST OF THE GENUINE PARTS AND EXPENDING MATERIAL ARE SEPERATELY TAKEN THAT IS CHANGED AT THE DURING THE PERIODIC INSPECTION.
- 4) TO CONTINUATION OF WARRANTY, THE ORIGINAL GENUINE PARTS MUST BE USED NECESSARY (SUCH AS FILTER , BELT, SEAL ETC.)
- 5) ABOVE THE EXPLANATION MILE'S TO BE DISCUSSED IN THE EVENT THAT IF THE ONLY ORIGINAL GENUINE PART HED BEEN USED.

NOTES

WARNING !
The maintenance intervals should be choosed according to the type of use. Any violation of the maintenance intervals may jeopardise the warranty. Check the type of use from page 25.

Signature of Service/Dealer

MAINTENANCE CHECK LIST (160.000 mile)	
ENGINE	
Check the Air Cleaner Restriction	
Inspect the fuel system for leaks	
Drain the water in the water-fuel separator	
Check the V-belts tension	
Check the AdBlue system for leaks	
Inspect the charge-air piping and hoses for leaks, holes, cracks, or loose connections.	
Inspect the charge-air cooler for dirt and debris blocking the fins.	
Clean the air filter	
Change the water-fuel separator filter	
Change the Fuel Filter	
Change the engine oil	
Change the engine oil filter	
Checking antifreeze density	
Change the Coolant Filter	
Checking and cleaning of the battery connection	
Checking the battery electrolyte level and density	
Check the Radiator Pressure Cap	
Clean and Inspect V-belts and pulley for Reuse (change if necessary)	
Change the engine coolant	
Check the Vibration Damper, Rubber	
Check the Vibration Damper, Viscous	
Clean the engine with steam	
Check the Radiator Hoses	
Clean the Air Compressor Discharge Lines	
Change the coolant	
DRIVE TRAIN	
Grease the propeller shaft	
Check the differential oil level	
Check the differential oil for leaks	
Check the fluid and the fluid level in the power steering reservoir or steering mechanism.	
Check the play, rattle, or shimmy in any part of the steering linkage or steering mechanism.	
Change the transmission oil filter	
Change the transmission oil	
BRAKE, AIR AND SUSPENSION SYSTEM	
Check the brake system for air leaks	
Check the brake pads. If the backplate and friction material thickness is less than 12,2 mm, the pad must be replaced	
Check the brake discs. If the disc thickness is less than 37 mm or one side of disc abrasion is more than 4 mm, the disc must be replaced	
Check the suspension mountings	

Check the air bellows for leaks	
A/C SYSTEM	
Check preheater function.	
Check cooling system for leaks	
Check coolant pipework and screw couplings for anchorage, leaks and correct positioning	
Replace contaminated refrigerant oil	
Replace filter block dryer	
Check high and low pressure prestostats are working properly	
Check condenser controller pressure monitor is working properly (if present)	
Check compressor for leaks, anchorage and that it is working properly	
Check A/C compressor oil level	
Check compressor output regulator is working properly (if present)	
Check electromagnetic clutch for bearing noise and that it is working properly	
Check seals, locks and overall condition of system housing	
Check condition of electrical system and that it is working properly	
Check thermostat and controller	
Check fresh air vents are working properly	
Check the preheater electrical connection	
Check the heat exchanger of preheater	
Clean preheater exterior and interior	
Check the preheater fuel lines and connections for leaks	
Replace the preheater fuel filter with gasket	
Replace the preheater fuel filter screen with gaskets in pump	
Check the preheater burner head	
Replace the preheater atomizer nozzle	
Check the preheater exhaust line for contamination and clean as required	
Change the pollen filter	
ELECTRICITY SYSTEM	
Check the wiring of starter	
Clean the battery poles	
Check the electrolyte level and density	
CHASSIS AND BODY	
Check the mirror connections	
Checking the wheel nuts tightness	
Checking tire pressure	
Checking the spare tire connection	
Checking the function of all doors security fixings	
Checking and adjustment of luggage lids locks function (with greasing the lids hinges and locks)	
Checking the function, air leakage, tightness, damage of door system	
Wheel alignment adjustment	

**VEHICLE MAINTENANCE
COUPON**
170.000 mile

This section is filled by the servicing dealer.

Signature/Stamp

Maintenance Date _____

Mileage _____

Registration plate: _____

Repair Maintenance Service (Workshop) _____

TEMSA VEHICLE MAINTENANCE COUPON
170.000 mile

Chassis No.

Country/County or (District)

Maintenance Date Mileage

Vehicle work region Registration Date

Registration Plate No. Engine No.

Repair maintenance Service or (Atelier)

Signature/Stamp

ATTENTION
For the duration of the vehicle warranty cover,
Make the inspection of the vehicle at the proper time,
It is essential to use original genuine parts for inspection and
maintenance, and to use oils recommended by
TEMSA and this document should be keep by the Service.

USED MATERIALS

MATERIAL NUMBER	MATERIAL NAME	QUANTITY

- 1) IT'S AN OBLIGATION FOR THE CONTINUATION OF WARRANTY TO MAKE ALL THE PERIODICAL INSPECTIONS AT THE MILE'S WHICH HAD BEEN EXPLAINED ABOVE AT THE RIGHT TIME AND TO STAMP THE RELATED PARTS OF THE WORKSHOP MANUAL BY THE AUTHORIZED SERVICE.
- 2) PERIODIC MAINTENANCE COVER ABOVE THE ITEMS.
- 3) COST OF THE GENUINE PARTS AND EXPENDING MATERIAL ARE SEPERATELY TAKEN THAT IS CHANGED AT THE DURING THE PERIODIC INSPECTION.
- 4) TO CONTINUATION OF WARRANTY, THE ORIGINAL GENUINE PARTS MUST BE USED NECESSARY (SUCH AS FILTER , BELT, SEAL ETC.)
- 5) ABOVE THE EXPLANATION MILE'S TO BE DISCUSSED IN THE EVENT THAT IF THE ONLY ORIGINAL GENUINE PART HED BEEN USED.

NOTES

WARNING !

The maintenance intervals should be chosen according to the type of use. Any violation of the maintenance intervals may jeopardise the warranty. Check the type of use from page 25.

Signature of Service/Dealer

MAINTENANCE CHECK LIST (170.000 mile)	
ENGINE	
Check the Air Cleaner Restriction	
Inspect the fuel system for leaks	
Drain the water in the water-fuel separator	
Check the V-belts tension	
Check the AdBlue system for leaks	
Inspect the charge-air piping and hoses for leaks, holes, cracks, or loose connections.	
Inspect the charge-air cooler for dirt and debris blocking the fins.	
Clean the air filter	
DRIVE TRAIN	
Grease the propeller shaft	
Check the differential oil level	
Check the differential oil for leaks	
Check the fluid and the fluid level in the power steering reservoir or steering mechanism.	
Check the play, rattle, or shimmy in any part of the steering linkage or steering mechanism.	
BRAKE, AIR AND SUSPENSION SYSTEM	
Check the brake system for air leaks	
Check the brake pads. If the backplate and friction material thickness is less than 12,2 mm, the pad must be replaced	
Check the brake discs. If the disc thickness is less than 37 mm or one side of disc abrasion is more than 4 mm, the disc must be replaced	
Check the suspension mountings	
Check the air bellows for leaks	

A/C SYSTEM	
Check preheater function.	
ELECTRICITY SYSTEM	
Check the wiring of starter	
Clean the battery poles	
Check the electrolyte level and density	
CHASSIS AND BODY	
Check the mirror connections	
Checking the wheel nuts tightness	
Checking tire pressure	
Checking the spare tire connection	
Checking the function of all doors security fixings	
Checking and adjustment of luggage lids locks function (with greasing the lids hinges and locks)	
Checking the function, air leakage, tightness, damage of door system	

**VEHICLE MAINTENANCE
COUPON**
180.000 mile

This section is filled by the servicing dealer.

Signature/Stamp

Maintenance Date _____

Mileage _____

Registration plate: _____

Repair Maintenance Service (Workshop) _____

TEMSA VEHICLE MAINTENANCE COUPON
180.000 mile

Chassis No.

Country/County or (District)

Maintenance Date Mileage

Vehicle work region Registration Date

Registration Plate No. Engine No.

Repair maintenance Service or (Atelier)

Signature/Stamp

ATTENTION
For the duration of the vehicle warranty cover,
Make the inspection of the vehicle at the proper time,
It is essential to use original genuine parts for inspection and
maintenance, and to use oils recommended by
TEMSA and this document should be keep by the Service.

USED MATERIALS

MATERIAL NUMBER	MATERIAL NAME	QUANTITY

- 1) IT'S AN OBLIGATION FOR THE CONTINUATION OF WARRANTY TO MAKE ALL THE PERIODICAL INSPECTIONS AT THE MILE'S WHICH HAD BEEN EXPLAINED ABOVE AT THE RIGHT TIME AND TO STAMP THE RELATED PARTS OF THE WORKSHOP MANUAL BY THE AUTHORIZED SERVICE.
- 2) PERIODIC MAINTENANCE COVER ABOVE THE ITEMS.
- 3) COST OF THE GENUINE PARTS AND EXPENDING MATERIAL ARE SEPERATELY TAKEN THAT IS CHANGED AT THE DURING THE PERIODIC INSPECTION.
- 4) TO CONTINUATION OF WARRANTY, THE ORIGINAL GENUINE PARTS MUST BE USED NECESSARY (SUCH AS FILTER , BELT, SEAL ETC.)
- 5) ABOVE THE EXPLANATION MILE'S TO BE DISCUSSED IN THE EVENT THAT IF THE ONLY ORIGINAL GENUINE PART HED BEEN USED.

NOTES

WARNING !

The maintenance intervals should be chosen according to the type of use. Any violation of the maintenance intervals may jeopardise the warranty. Check the type of use from page 25.

Signature of Service/Dealer

MAINTENANCE CHECK LIST (180.000 mile)	
ENGINE	
Check the Air Cleaner Restriction	
Inspect the fuel system for leaks	
Drain the water in the water-fuel separator	
Check the V-belts tension	
Check the AdBlue system for leaks	
Inspect the charge-air piping and hoses for leaks, holes, cracks, or loose connections.	
Inspect the charge-air cooler for dirt and debris blocking the fins.	
Change the water-fuel separator filter	
Change the Fuel Filter	
Change the engine oil	
Change the engine oil filter	
Checking antifreeze density	
Change the Coolant Filter	
Checking and cleaning of the battery connection	
Checking the battery electrolyte level and density	
Check the Radiator Pressure Cap	
Change the Crankcase Breather Element	
Change the air filter	
DRIVE TRAIN	
Grease the propeller shaft	
Check the differential oil level	
Check the differential oil for leaks	
Check the fluid and the fluid level in the power steering reservoir or steering mechanism.	
Check the play, rattle, or shimmy in any part of the steering linkage or steering mechanism.	
Change the differential breather valve	
Change the differential oil	

BRAKE, AIR AND SUSPENSION SYSTEM	
Check the brake system for air leaks	
Check the brake pads. If the backplate and friction material thickness is less than 12,2 mm, the pad must be replaced	
Check the brake discs. If the disc thickness is less than 37 mm or one side of disc abrasion is more than 4 mm, the disc must be replaced	
Check the suspension mountings	
Check the air bellows for leaks	
Change the air dryer filter	
A/C SYSTEM	
Check preheater function.	
ELECTRICITY SYSTEM	
Check the wiring of starter	
Clean the battery poles	
Check the electrolyte level and density	
CHASSIS AND BODY	
Check the mirror connections	
Checking the wheel nuts tightness	
Checking tire pressure	
Checking the spare tire connection	
Checking the function of all doors security fixings	
Checking and adjustment of luggage lids locks function (with greasing the lids hinges and locks)	
Checking the function, air leakage, tightness, damage of door system	
Wheel alignment adjustment	

**VEHICLE MAINTENANCE
COUPON**
190.000 mile

This section is filled by the servicing dealer.

Signature/Stamp

Maintenance Date _____

Mileage _____

Registration plate: _____

Repair Maintenance Service (Workshop) _____

TEMSA VEHICLE MAINTENANCE COUPON
190.000 mile

Chassis No.

Country/County or (District)

Maintenance Date Mileage

Vehicle work region Registration Date

Registration Plate No. Engine No.

Repair maintenance Service or (Atelier)

Signature/Stamp

ATTENTION
For the duration of the vehicle warranty cover,
Make the inspection of the vehicle at the proper time,
It is essential to use original genuine parts for inspection and
maintenance, and to use oils recommended by
TEMSA and this document should be keep by the Service.

USED MATERIALS

MATERIAL NUMBER	MATERIAL NAME	QUANTITY

- 1) IT'S AN OBLIGATION FOR THE CONTINUATION OF WARRANTY TO MAKE ALL THE PERIODICAL INSPECTIONS AT THE MILE'S WHICH HAD BEEN EXPLAINED ABOVE AT THE RIGHT TIME AND TO STAMP THE RELATED PARTS OF THE WORKSHOP MANUAL BY THE AUTHORIZED SERVICE.
- 2) PERIODIC MAINTENANCE COVER ABOVE THE ITEMS.
- 3) COST OF THE GENUINE PARTS AND EXPENDING MATERIAL ARE SEPERATELY TAKEN THAT IS CHANGED AT THE DURING THE PERIODIC INSPECTION.
- 4) TO CONTINUATION OF WARRANTY, THE ORIGINAL GENUINE PARTS MUST BE USED NECESSARY (SUCH AS FILTER , BELT, SEAL ETC.)
- 5) ABOVE THE EXPLANATION MILE'S TO BE DISCUSSED IN THE EVENT THAT IF THE ONLY ORIGINAL GENUINE PART HED BEEN USED.

NOTES

WARNING !
The maintenance intervals should be chosen according to the type of use. Any violation of the maintenance intervals may jeopardise the warranty. Check the type of use from page 25.

Signature of Service/Dealer

MAINTENANCE CHECK LIST (190.000 mile)	
ENGINE	
Check the Air Cleaner Restriction	<input type="checkbox"/>
Inspect the fuel system for leaks	<input type="checkbox"/>
Drain the water in the water-fuel separator	<input type="checkbox"/>
Check the V-belts tension	<input type="checkbox"/>
Check the AdBlue system for leaks	<input type="checkbox"/>
Inspect the charge-air piping and hoses for leaks, holes, cracks, or loose connections.	<input type="checkbox"/>
Inspect the charge-air cooler for dirt and debris blocking the fins.	<input type="checkbox"/>
Clean the air filter	<input type="checkbox"/>
DRIVE TRAIN	
Grease the propeller shaft	<input type="checkbox"/>
Check the differential oil level	<input type="checkbox"/>
Check the differential oil for leaks	<input type="checkbox"/>
Check the fluid and the fluid level in the power steering reservoir or steering mechanism.	<input type="checkbox"/>
Check the play, rattle, or shimmy in any part of the steering linkage or steering mechanism.	<input type="checkbox"/>
BRAKE, AIR AND SUSPENSION SYSTEM	
Check the brake system for air leaks	<input type="checkbox"/>
Check the brake pads. If the backplate and friction material thickness is less than 12,2 mm, the pad must be replaced	<input type="checkbox"/>
Check the brake discs. If the disc thickness is less than 37 mm or one side of disc abrasion is more than 4 mm, the disc must be replaced	<input type="checkbox"/>
Check the suspension mountings	<input type="checkbox"/>
Check the air bellows for leaks	<input type="checkbox"/>

A/C SYSTEM	
Check preheater function.	<input type="checkbox"/>
ELECTRICITY SYSTEM	
Check the wiring of starter	<input type="checkbox"/>
Clean the battery poles	<input type="checkbox"/>
Check the electrolyte level and density	<input type="checkbox"/>
CHASSIS AND BODY	
Check the mirror connections	<input type="checkbox"/>
Checking the wheel nuts tightness	<input type="checkbox"/>
Checking tire pressure	<input type="checkbox"/>
Checking the spare tire connection	<input type="checkbox"/>
Checking the function of all doors security fixings	<input type="checkbox"/>
Checking and adjustment of luggage lids locks function (with greasing the lids hinges and locks)	<input type="checkbox"/>
Checking the function, air leakage, tightness, damage of door system	<input type="checkbox"/>

**VEHICLE MAINTENANCE
COUPON**
200.000 mile

This section is filled by the servicing dealer.

Signature/Stamp

Maintenance Date _____

Mileage _____

Registration plate: _____

Repair Maintenance Service (Workshop) _____

TEMSA VEHICLE MAINTENANCE COUPON
200.000 mile

Chassis No.

Country/County or (District)

Maintenance Date Mileage

Vehicle work region Registration Date

Registration Plate No. Engine No.

Repair maintenance Service or (Atelier)

Signature/Stamp

ATTENTION
For the duration of the vehicle warranty cover,
Make the inspection of the vehicle at the proper time,
It is essential to use original genuine parts for inspection and
maintenance, and to use oils recommended by
TEMSA and this document should be keep by the Service.

USED MATERIALS

MATERIAL NUMBER	MATERIAL NAME	QUANTITY

- 1) IT'S AN OBLIGATION FOR THE CONTINUATION OF WARRANTY TO MAKE ALL THE PERIODICAL INSPECTIONS AT THE MILE'S WHICH HAD BEEN EXPLAINED ABOVE AT THE RIGHT TIME AND TO STAMP THE RELATED PARTS OF THE WORKSHOP MANUAL BY THE AUTHORIZED SERVICE.
- 2) PERIODIC MAINTENANCE COVER ABOVE THE ITEMS.
- 3) COST OF THE GENUINE PARTS AND EXPENDING MATERIAL ARE SEPERATELY TAKEN THAT IS CHANGED AT THE DURING THE PERIODIC INSPECTION.
- 4) TO CONTINUATION OF WARRANTY, THE ORIGINAL GENUINE PARTS MUST BE USED NECESSARY (SUCH AS FILTER , BELT, SEAL ETC.)
- 5) ABOVE THE EXPLANATION MILE'S TO BE DISCUSSED IN THE EVENT THAT IF THE ONLY ORIGINAL GENUINE PART HED BEEN USED.

NOTES

WARNING !

The maintenance intervals should be chosen according to the type of use. Any violation of the maintenance intervals may jeopardise the warranty. Check the type of use from page 25.

Signature of Service/Dealer

MAINTENANCE CHECK LIST (200.000 mile)**ENGINE**

Check the Air Cleaner Restriction	
Inspect the fuel system for leaks	
Drain the water in the water-fuel separator	
Check the V-belts tension	
Check the AdBlue system for leaks	
Inspect the charge-air piping and hoses for leaks, holes, cracks, or loose connections.	
Inspect the charge-air cooler for dirt and debris blocking the fins.	
Clean the air filter	
Change the water-fuel separator filter	
Change the Fuel Filter	
Change the engine oil	
Change the engine oil filter	
Checking antifreeze density	
Change the Coolant Filter	
Checking and cleaning of the battery connection	
Checking the battery electrolyte level and density	
Check the Radiator Pressure Cap	
Clean and Inspect V-belts and pulley for Reuse (change if necessary)	
Clean the Aftertreatment Diesel Particulate Filter	
Change the Aftertreatment Diesel Exhaust Fluid Dosing Unit Filter	

DRIVE TRAIN

Grease the propeller shaft	
Check the differential oil level	
Check the differential oil for leaks	
Check the fluid and the fluid level in the power steering reservoir or steering mechanism.	
Check the play, rattle, or shimmy in any part of the steering linkage or steering mechanism.	
Grease the front axle Steering knuckle	
Grease the front axle Control arm	
Replacement oil of Linnig fan drive system	

BRAKE, AIR AND SUSPENSION SYSTEM

Check the brake system for air leaks	
Check the brake pads. If the backplate and friction material thickness is less than 12,2 mm, the pad must be replaced	
Check the brake discs. If the disc thickness is less than 37 mm or one side of disc abrasion is more than 4 mm, the disc must be replaced	
Check the suspension mountings	
Check the air bellows for leaks	

A/C SYSTEM

Check preheater function.	
Check cooling system for leaks	
Check coolant pipework and screw couplings for anchorage, leaks and correct positioning	
Replace contaminated refrigerator oil	
Replace filter block dryer	
Check high and low pressure pressostats are working properly	
Check condenser controller pressure monitor is working properly (if present)	
Check compressor for leaks, anchorage and that it is working properly	
Check A/C compressor oil level	
Check compressor output regulator is working properly (if present)	
Check electromagnetic clutch for bearing noise and that it is working properly	
Check seals, locks and overall condition of system housing	
Check condition of electrical system and that it is working properly	
Check thermostat and controller	
Check fresh air vents are working properly	
Check the preheater electrical connection	
Check the heat exchanger of preheater	
Clean preheater exterior and interior	
Check the preheater fuel lines and connections for leaks	
Replace the preheater fuel filter with gasket	
Replace the preheater fuel filter screen with gaskets in pump	
Check the preheater burner head	
Replace the preheater atomizer nozzle	
Check the preheater exhaust line for contamination and clean as required	

ELECTRICITY SYSTEM

Check the wiring of starter	
Clean the battery poles	
Check the electrolyte level and density	

CHASSIS AND BODY

Check the mirror connections	
Checking the wheel nuts tightness	
Checking tire pressure	
Checking the spare tire connection	
Checking the function of all doors security fixings	
Checking and adjustment of luggage lids locks function (with greasing the lids hinges and locks)	
Checking the function, air leakage, tightness, damage of door system	
Wheel alignment adjustment	

Daily

- Check the engine oil level
- Check tension of driver belts
- Check tire pressures
- Check the air filter
- Drain the water on the air tanks
- Check the Air Intake Piping
- Visual inspection of the cooling fan
- Check the Crankcase Breather Tube
Inspect the breather tube for sludge, debris, or ice in the tube.
- Check the Air Tanks and Reservoirs
- Check the Coolant Level
- Discharging the water in the separator filter
- Check the Aftertreatment Exhaust Piping
- Check the Diesel Exhaust Fluid (DEF) Level
- Run the A/C regularly for at least half an hour to increase service life

TREATMENT PROCEDURES FOR CORROSION

1. FOREWORD

Purpose of this document

This document is prepared to define the processes and treatment methods for corrosion on vehicles.

Technical Competence

Informations and descriptions given in this booklet are intended to be understood by the users who have enough level of technical competence, experience and abilities. In addition to descriptions and safety informations stated in this booklet, all national and international occupational safety and health regulations and directives have to be obeyed.

Processes

Processes described in this booklet such as painting, patching, grinding, sandpapering may have discrepancies with respect to environmental conditions. According to type of the vehicle and type of damage additional processes

Consumables

In this booklet some consumables such as primer, paint etc are denoted with their brand names or codes. To use such consumables other than stated, please contact with Temsa International Customer services.

2. PRECAUTIONS

Personal Responsibility

Even with the safest tools and processes situations may arise during operation that present a health or safety hazard to the technicians or to third parties, unless proper operation and handling is ensured by issuing easily understandable operating, servicing, maintenance and other informative guidelines, as well as by training and instruction personnel. Additional important factors are equipment location and environmental conditions.

Check Consumables

Check consumables' (thinner, solvents, primers, paints etc) storage conditions and expiry dates before use. Because of storage conditions and other factors, some consumables may cause deterioration on the vehicle body.

Check Tools

Check tools and other equipments before use. Damaged or unsuitable tools may cause safety or health problems.

Check Tools

Some processes described in this booklet requires special safety equipments and accessories. Please use proper type of safety equipments and accessories according to described procedure.

2. PRECAUTIONS

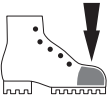
2.1 SAFETY EQUIPMENTS & ACCESSORIES

Make sure that technicians do not wear their hair long and loose, or wear loose clothing or jewelry, including rings, all of which present safety hazards, as such objects are likely to be pulled in or get caught in the tools.

2.1.1 STANDARD ACCESSORIES

Standard safety equipments have to be used for all procedures.

Safety Shoes



With the thick base and metal protector sheet in front of them, safety shoes protect your feet against any hit.

Safety Goggles



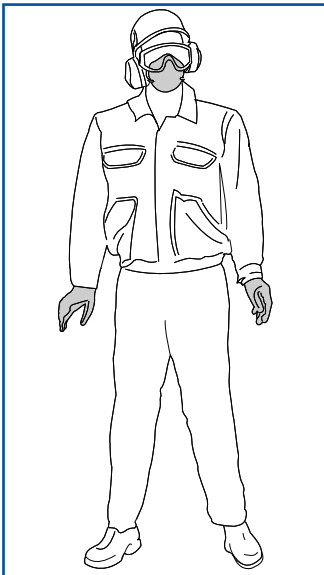
Safety goggles protect your eyes against dust and small particles while sandpapering, painting, cleaning etc. Also they are used to protect eyes against vapor of any chemical consumables such as thinner, primer etc.

Ear Protectors



High noise level during some procedures such as grinding, cleaning, priming may cause permanent audio damage. Use ear protectors to avoid damage.

2.1.2 SAFETY EQUIPMENTS & ACCESSORIES FOR SANDPAPERING PROCESS



In addition to standard accessories stated above, some equipments have to be used during sandpapering process.

Paper Masks



Sandpapering causes small particles suspending in the air which may be easily inhaled. Use paper masks to avoid inhaling small particles.



CAUTION

Masks used for sandpapering process must meet the EN149:2001 FFP2 standard.

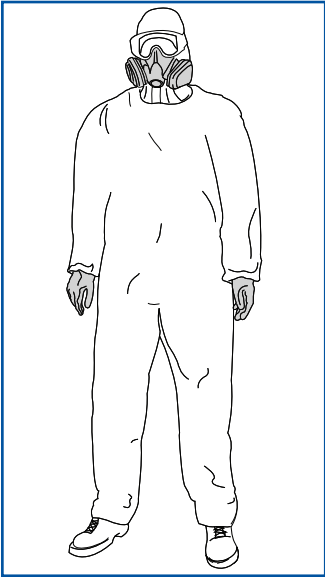
Safety Gloves



Use safety gloves to protect your hands while lifting - transferring parts, using tools.

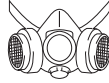
2. PRECAUTIONS

2.1.3 SAFETY EQUIPMENTS & ACCESSORIES FOR PAINTING PROCESS



In addition to standard accessories stated above, some additional equipments have to be used during painting process.

Gas Masks



Filtered gas masks blocks small paint particles suspended in the air and prevent inhalation of these particles.

Solvent Resistant Gloves



Some organic solvents used for painting and priming may cause severe deterioration on your skin.



CAUTION

Gas masks have filters. After some period these filters get choked and can not be used any longer. Change the filters when necessary.

3. PROCEDURES

3.1 SANDPAPERING

This procedure is used to remove painting, primer, batch layers from the surfaces and preparing the surface for new applications. Sandpapering is applied manually, with air gun or vacuum sandpapering machine. Regarding to the application type, it has two types as dry sandpapering and wet sandpapering.

Sandpapering procedure steps are denoted with paper numbers. It is utmost important to use proper number of paper according to the application.

3.1.1 CHOOSING PROPER PAPER

Removing paint layer		#60	 ↑ ROUGHNESS		#60
		#80		#80	
Sandpapering polyester primer		#100		#100	
		#220		#220	
Removing scratches		#320		#320	
Sandpapering batch layer		#500	#500		

Roughness of sand paper is inversely decreases with the number of paper to be used. The lower the number of paper, the higher the roughness.

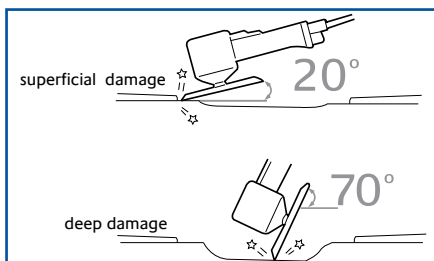
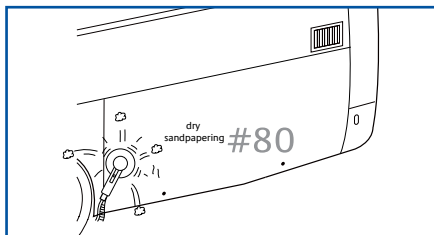
3. PROCEDURES

3.1.2 REMOVING PAINT LAYER

Use #80 paper to remove old paint layer from the part surface.

pay attention!

- 1 Turn on the sandpapering machine after touching the surface. To avoid deep scratches on the surface, always apply equal pressure to the surface.
- 2 To avoid overheating of the surface, DO NOT hold sandpapering machine for a long time on the same area.
- 3 Use both of your hands when using sandpapering machine.



3.1.3 LAPPING LAYER BOUNDARIES

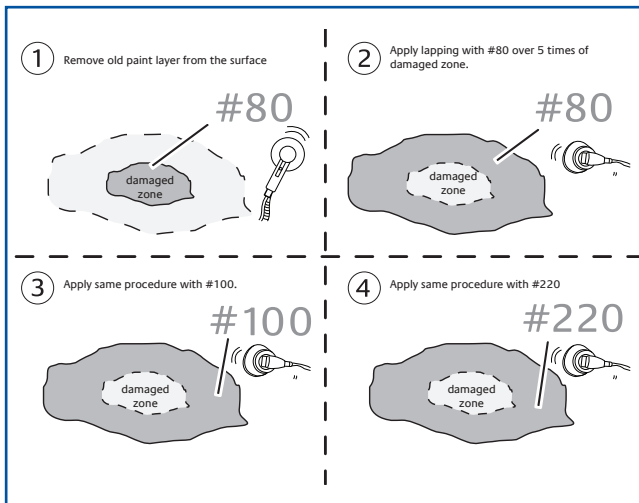
To avoid visible painting layers, lapping is applied to the surfaces.



Use vacuum sandpapering machine by three steps. Use #80, #100, # 220 papers respectively.

x5

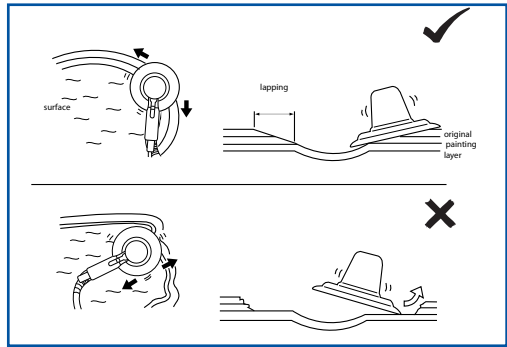
Apply lapping procedure over 5 times of damaged zone.



3. PROCEDURES

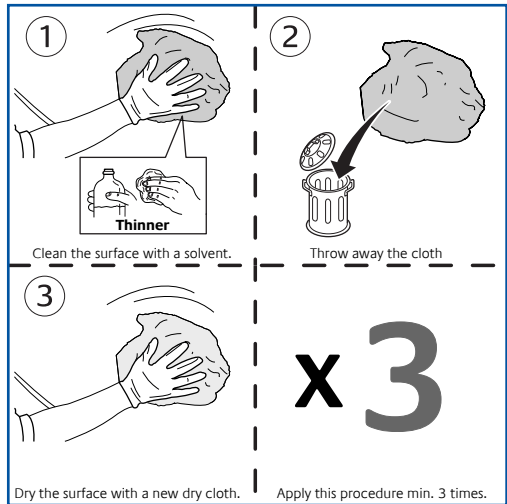
3.1.3 LAPPING LAYER BOUNDARIES

Use sandpapering machine with circular movements on the boundaries of the layer.



3.1.4 CLEANING SURFACES

1. Clean the surface with a solvent until no dirt or particles remain.
2. Dry the surface immediately with a new dry cloth.
3. Each time use new clothes or inside out the cloth each time.

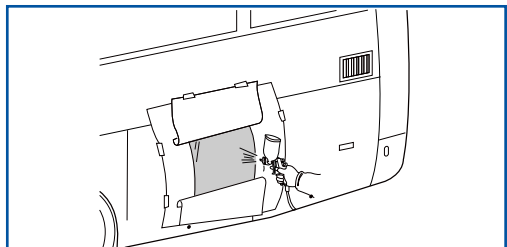


3.1.5 MASKING

Protect the areas of the vehicle (which one not to be painted, sandpapered, primed or batched) by using a masking paper and masking tape.

Regarding to the painting procedure there are two types of masking;

1. Masking for batching
2. Masking for part painting



3. PROCEDURES

3.1.5 MASKING

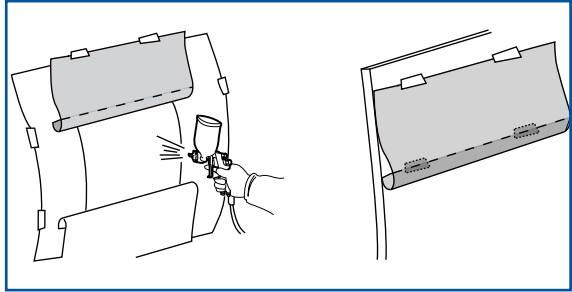
3.1.5.1 MASKING FOR BATCHING

This masking procedure is used before batching.

To avoid lining effect on the boundaries reverse masking must be applied.


Reverse masking is carried by sticking the upside of the masking paper and reversing its downside towards vehicle and sticking it.

Hence, the lining effect between paint and primer layers disappear.



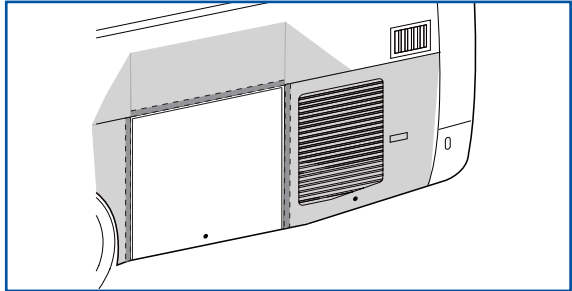
3.1.5.2 MASKING FOR PAINTING

Mask all of the surface to be painted.



CAUTION

Check and ensure that masking tape used for masking does not damage the surface of the vehicle.




3.2 USING AIR GUN

Use air guns to clean the surfaces from dust and small particles.

Pressurized air helps to blow the particles from the surfaces.





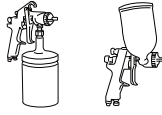
CAUTION

Before using the air gun check the system pressure. Ensure that min. system pressure is 5 bar.

3.PROCEDURES

3.3 USING PAINT - PRIMER - WAX GUNS

They use pressurized air to atomise the paint, primer and wax. Depending on the application, two types can be used as upper loaded chamber and lower loaded chamber type can be used depending on the application type.



CAUTION

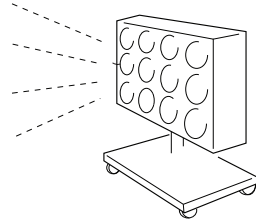
Paint, primer and wax guns uses pressurized air. Check system pressure before operating them.

3.3 USING INFRARED HEATERS

Infrared heaters can be used to dry zones locally.

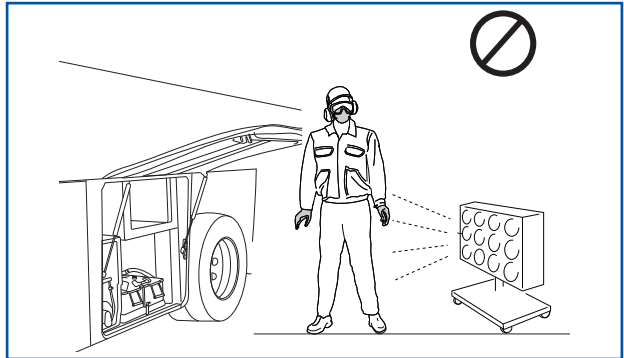
When using infrared heaters, DO NOT subject the heaters to the surfaces to be dried continuously. It may cause overheating of the surfaces.

The distance between heater and the surface to be dried is important. Refer to the user manual of the heater for such technical information before using it..



CAUTION

DO NOT stand in front of the heaters.



4. CORROSION & PREVENTIVE METHODS

What is Corrosion?

Corrosion is a state of deterioration in metals (steel, copper, zinc, aluminium and their compounds) caused by oxidation or chemical action.

Observation

- Red rust in steel parts,
- White maculation on zinc parts,
- White maculation on Dacromet / Geomet coated parts,
- Green rust on copper parts,
- White maculation on aluminium parts.

Causes of Corrosion

1

User Faults

Nonobservance to the rules stated in user, workshop warranty & service manuals may cause corrosion.

- Noninterference to the scratches on the painted areas of the vehicle on time,
- Nonobservance to the preventive maintenance procedures,
- Nonobservance to the preventive actions before winter season

2

Environmental Factors

Environmental and geographical factors determines the corrosion factors.

- Hot and humid regions (eg. seaside)
- Cold and snowy regions (road deicing)
- Cold and rainy regions,
- Industrial zones
- Additional applications to open the public roads (solid or liquid salt)

Corrosion Zones

Corrosion preventive methods can be applied into three main zones on the vehicle;

A

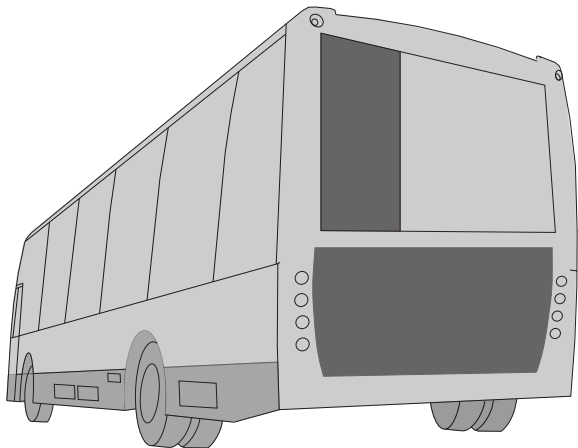
ZONE A
Engine Compartment

B

ZONE B
Chasis (including luggage comp.)

C

ZONE C
Side pannel, and the rest of the vehicle



A ZONE A

B ZONE B

C ZONE C

5. PROCEDURE FOR ENGINE COMPARTMENT (ZONE A)

5.1 ENGINE & COVERINGS

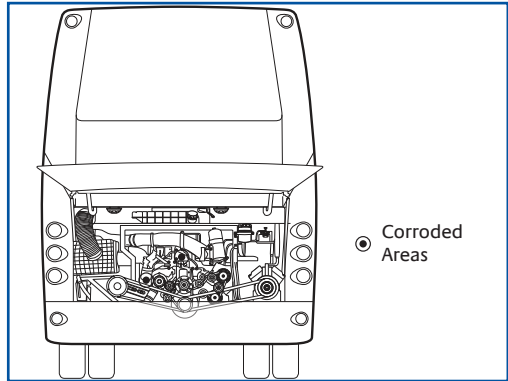
If any corrosion is observed on the engine or the coverings ;

1. Brush the corroded zone with wire brush.



CAUTION

Brush the corroded zone till the uncoated metal surface can be seen.
Poorly brushed surfaces may cause paint failure and re-corrosion.

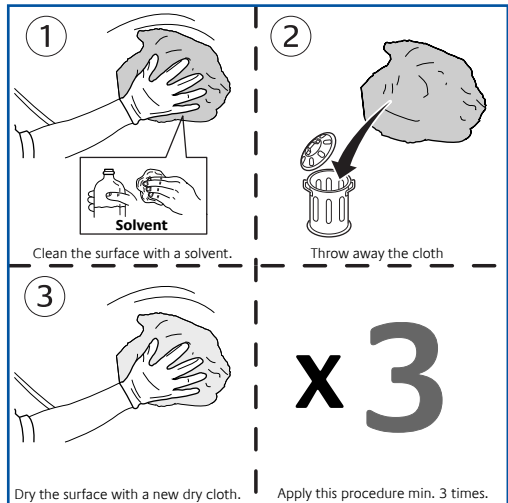


2. Clean the brushed area with gasoline or any appropriate spray material to clean the engine.



CAUTION

When working with any solvent, take the necessary actions to prevent fire risk.



3. Apply heat resistant paint approved by engine manufacturer.
4. Paint the zones with a suitable color code (in accordance with engine type & model) and use with hardener Gromalit 2pack.



CAUTION

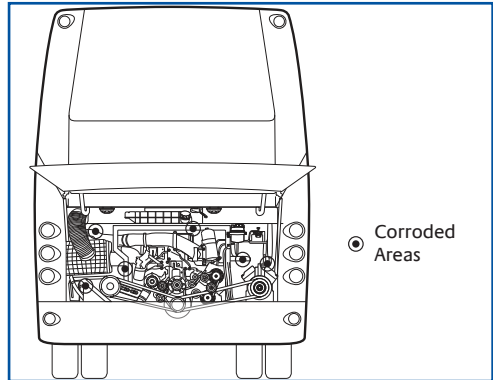
Wait at least 45 minutes after applying primer to the surfaces.

5.PROCEDURE FOR ENGINE COMPARTMENT (ZONE A)

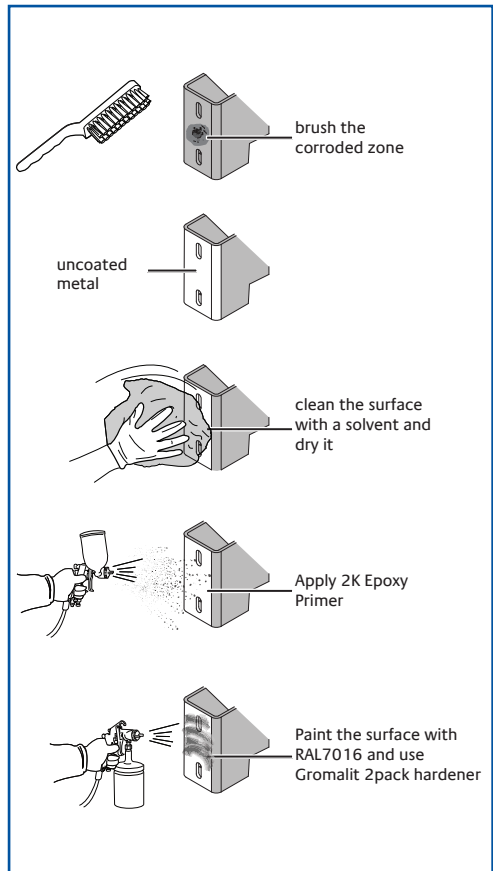
5.2 TUBES & BRACKETS

If any corrosion is observed on the tubes or brackets in the engine compartment;

1. Brush the corroded zone with wire brush.



2. Clean the brushed area with a solvent or thinner and dry it with a dry cloth.
3. Apply 2K Epoxy Primer to the cleaned and dried zones.
4. Paint the zones with a RAL7016 color code (in accordance with engine type & model) and use with hardener Gromalit 2pack.



CAUTION

For the parts near the hot lines, use heat resistant covering materials.

5. PROCEDURE FOR ENGINE COMPARTMENT (ZONE A)

5.3 ENGINE COMPARTMENT WAXING APPLICATION

All metal parts at the engine compartment (including copper tubes and A/C compressor etc.) could be waxed with Efcoat WE439A1 Anti Corrosive Material as shown in the figure.

Because of high temperature, yellow and red spots might be observed on the exhaust line. These spots must not be considered as corrosion.



CAUTION

DO NOT apply any chemical protection methods if any corrosion is observed on the exhaust line or turbo line in engine compartment.

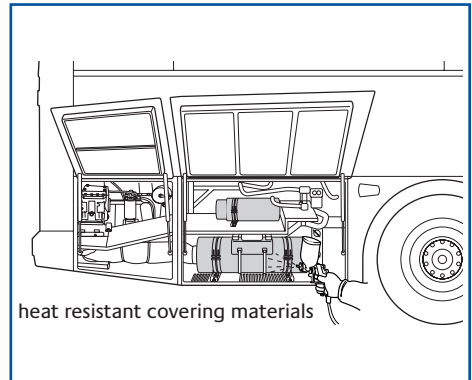
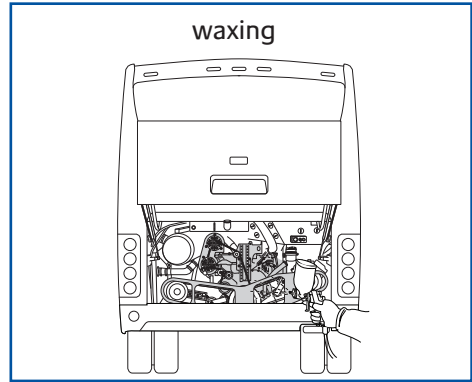
Exhaust line becomes hot while engine is running. Any chemical applied on the exhaust line for protection purposes, may cause fire.

If any holes or leak is observed on the exhaust line, please change the line elements with the original ones.



CAUTION

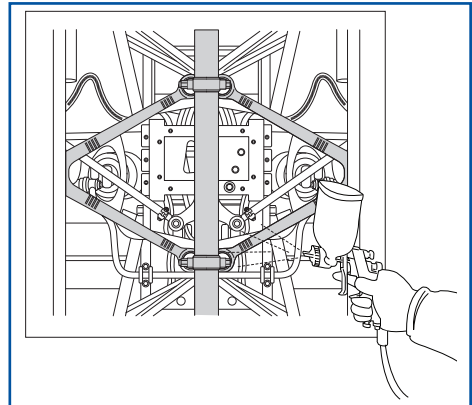
For the parts near the hot lines, use heat resistant covering materials.



6. PROCEDURE FOR CHASSIS (ZONE B)

6.1 CHASSIS PROFILES

1. Brush the corroded zone with wire brush.
2. Clean the brushed area with a solvent or thinner and dry it with a dry cloth.
3. Apply epoxy primer to the cleaned and dried zones.
4. Wait 12 hours for primed surfaces to be dried.
5. Apply Efcoat WE439A1 Anti Corrosive Material.



6. PROCEDURE FOR CHASIS (ZONE B)

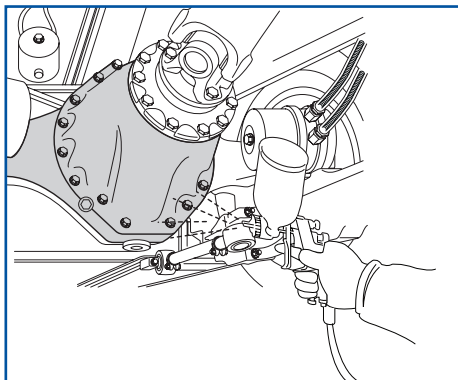
6.2 SCREW WAXING APPLICATION

All metal parts at the engine compartment (including heating copper tubes and A/C compressor, Exhaust muffler bracket etc.) could be waxed with Efcoat WE439A1 Anti Corrosive Material as shown in the figure.



CAUTION

Take necessary fire precautions when working muffler line, screws and components of heating system.



6.3 UNDERBODY COATING

1. Brush the corroded zone with wire brush.
2. Clean the brushed area with a solvent or thinner and dry it with a dry cloth.
3. Apply epoxy primer to the cleaned and dried zones.

WAIT

12
hours

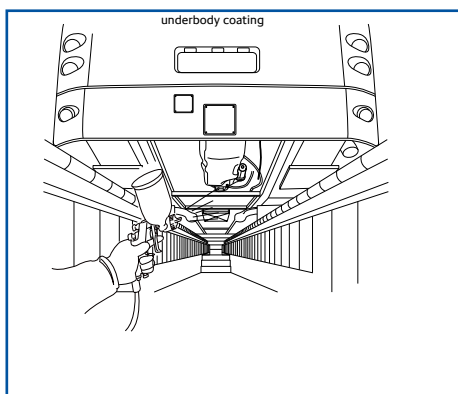
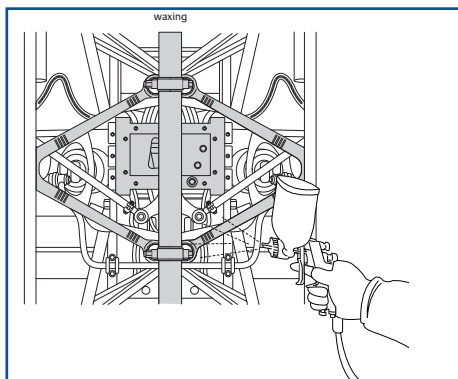
4. Wait 12 hours for primed surfaces to be dried.
5. Apply underbody coating (Dinitrol 4942).



CAUTION

- DO NOT use any heat sources to dry the underbody epoxy primer.

- To avoid any cooling problem, differential coating thickness should be 200-250 micron.



6. PROCEDURE FOR CHASIS (ZONE B)

6.4 PROFILE WAXING APPLICATION

Inside of the profiles could be waxed with Efcoat WH 492 A1 Anti Corrosive Material.

1. Clean the underbody using the high pressure wash
2. Dry the underbody
3. Apply Efcoat WH 492 A1 to the waxing holes. Wax should be applied all the holes in the underbody. Waxing holes are 8 mm.

WAIT



20
minutes

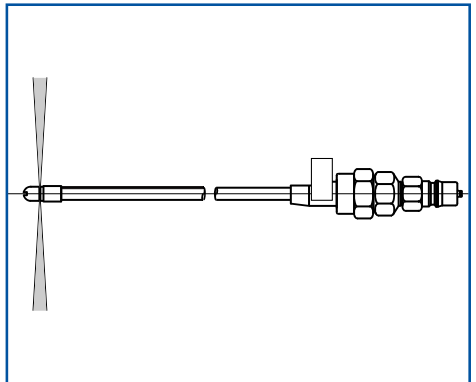
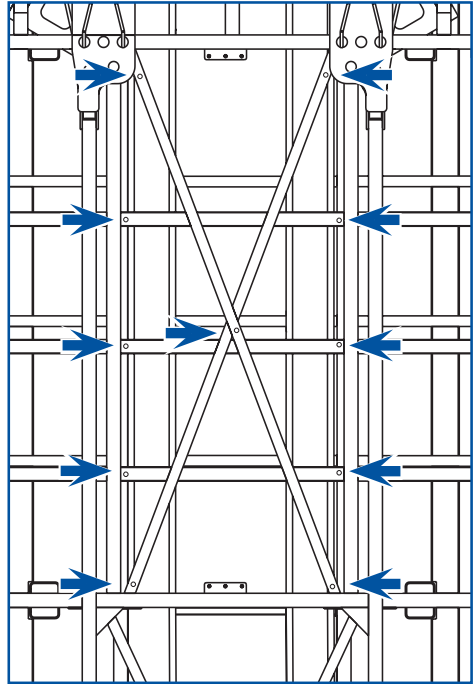
4. Wait 20 Minutes.
5. Remove excess residue, from waxing holes with clean cloth

For Wax application two way wand should be used.



CAUTION

Take necessary precautions when working underbody

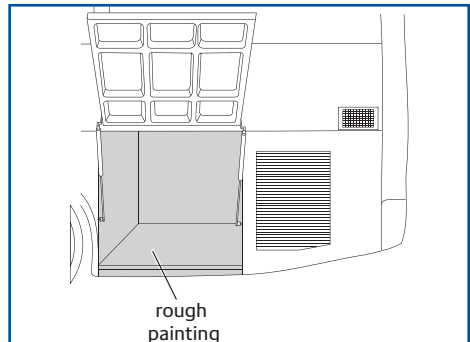
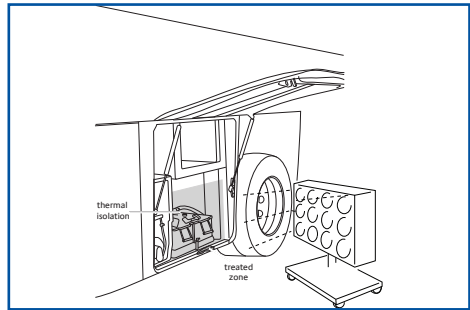
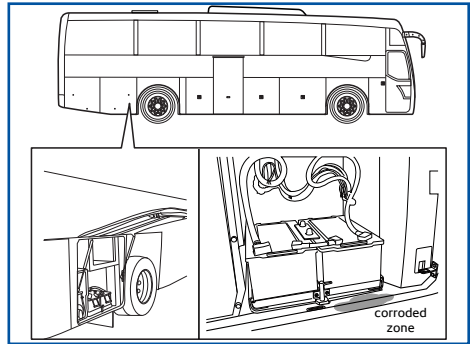


6. PROCEDURE FOR LUGGAGE COMPARTMENTS (ZONE C)

6.5 PROCEDURE FOR LUGGAGE COMPARTMENTS

If any corrosion is observed on the luggage compartments and their profiles;

1. Brush the corroded zone with wire brush.
2. Clean the brushed area with a solvent or thinner and dry it with a dry cloth.
3. Apply 2K Epoxy Primer primer to the cleaned and dried zones.
4. Wait at least 45 minutes to ensure surfaces are dried well. Also for drying procedure infrared heaters can be used.



CAUTION

If the corroded zone is close to electric-electronic equipments (switch panel, relay panel, batteries, any cables etc.), DO NOT use external heat sources such as infrared heaters to dry the painted zones before isolating (thermal) such equipments.



CAUTION

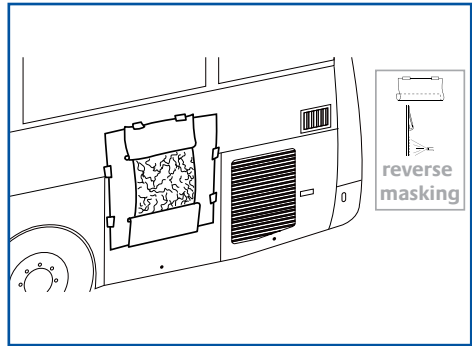
Apply rough painting to the internal zones of the luggage compartments after brushing, cleaning and priming.

7. PROCEDURE FOR SIDE PANELS & REST OF VEHICLE (ZONE C)

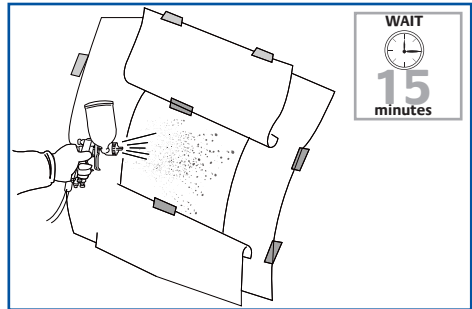
7.1 PROCEDURE FOR LUGGAGE COMPARTMENTS

If any corrosion is observed on the side panels;

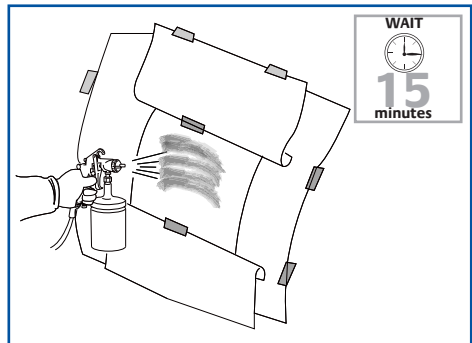
1. Mask the areas that you want to protect by using reverse masking method.
2. Brush the corroded zone with wire brush.
3. Use pressurized air to clean the surface.



4. Clean the brushed area with a solvent or thinner and dry it with a dry cloth.
5. Apply wash primer to the cleaned and dried zones and wait at least 15 minutes.



6. Apply Dupont 55-30 primer to prepared zones.
7. Wait at least 45 minutes to ensure surfaces are dried well. Also for drying procedure infrared heaters can be used.



7. PROCEDURE FOR SIDE PANELS & REST OF VEHICLE (ZONE C)

7.2 PROCEDURE FOR WINDOW SIDE CORROSIONS

If any corrosion is observed on window side:

1. Remove the sealer from the corroded zone.
2. Brush the corroded zone with wire brush.
3. Clean the brushed area with a solvent or thinner and dry it with a dry cloth.
4. Mask the necessary zones.
5. Apply 2K Epoxy Primer primer to the cleaned and dried zones. Wait at least 12 hours, or use infrared heater to dry the zone.



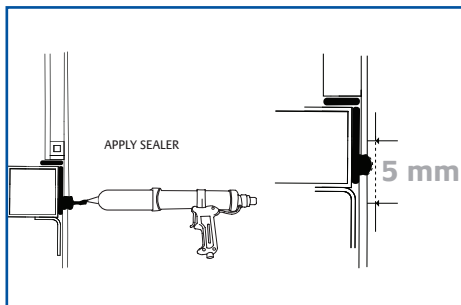
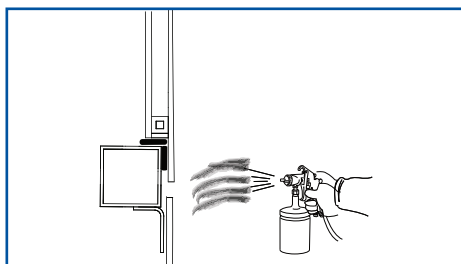
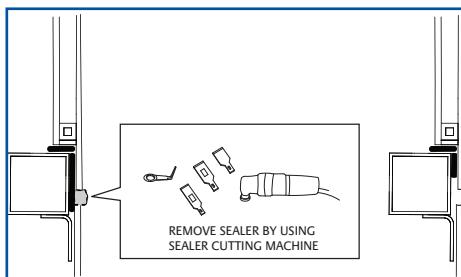
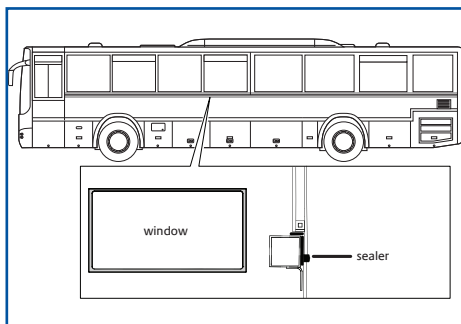
6. Paint the treated zone with 2K black paint by using spray painting.
7. Wait at least 45 minutes to ensure surfaces are dried well.
8. Apply sealer to the gap between side panel and window profile.

Terostat 8599 should be used for this action.



CAUTION

Only use adhesive (sealer) in a well ventilated area. Adhesive is poisonous, do not swallow or breath, keep away from eyes and skin it can cause injuries.



8. MAINTENANCE PROCEDURE

Each vehicle should be checked every 6 months. If the vehicle is not checked then it goes to out of warranty. If there is damage on vehicle, it must be repaired to avoid rust problem.



CAUTION

Inside of the structure profiles should be checked every year, if removed wax observed, wax operation¹ must be applied to necessary structure of the body with service confirmation.



CAUTION

It advices that vehicle should be washed mininum weekly and underbody should be washed mininum monthly with low pressure water to avoid chemical damages of the contamination. High pressure water causes abrasion on the underbody coating. If any corrosion indication confirmed, it should be reworked without delay.



CAUTION

Underbody coating must be checked for peeling&spalling 3 times during winter season. Before winter season starts, end of January (while high winter season end of October), end of winterseason If wear exists, coating² must be renewed in required areas.

1: Wax: EFCOAT WH 492 A1 - B03-02-004Y

2: Coating: Dinitrol 3641 A 80 - AB-01-027Y - Wide min 300 µ

8.1 OCTOBER MAINTENANCE LIST (YEAR 1)

Signature of Service/Dealer

Maintenance Date :

Mileage :

Registration Plate :

Repair Maintenance Service (Workshop)

Maintenance	Description
<input type="checkbox"/> Wash Undebody and Check Coating	Underbody should be washed with low pressure water. Underbody coating must be checked for peeling&spalling, If wear exists, coating ¹ must be renewed in required areas.
<input type="checkbox"/> Check Engine Room	Engine room must be checked for any corrosion trace and if any damage is located, damages must be repaired.
<input type="checkbox"/> Check Zone-B	Bottom sides (Zone B) must be checked for any corrosion trace and if any damage (due to rock hits etc.) is located, damages must be repaired.
<input type="checkbox"/> Check exterior moving parts and the brackets	Exterior moving parts must be cleaned and lubricated (e.g. Bumper hinges, Lid mechanism, Lid locks, Wiper mechanism, Front light brackets, Side mirror, Lid arms, Suspension of the rear lids, Rear light brackets, Exhaust cover screws and nuts, Radiator lid).
<input type="checkbox"/> Check lids and doors	Lids and doors must be checked for any corrosion trace and if any damage is located, damages must be repaired.
<input type="checkbox"/> Check inside the structure profiles	Inside the structure profiles should be checked, if removed wax or corrosion is observed, wax operation ² must be applied to necessary structure of the body.
<input type="checkbox"/> Check the vehicle Paintwork	Paintwork must be checked. If any scratches and paintwork damages observed, paint of the damage area must be renewed.

1: Coating: Dinitrol 3641 A 80 - AB-01-027Y - Wide min 300 μ

2: Wax: EFCOAT WH 492 A1 - B03-02-004Y

8.2 JANUARY MAINTENANCE LIST (YEAR 1)

Signature of Service/Dealer

Maintenance Date :

Mileage :

Registration Plate :

Repair Maintenance Service (Workshop)

Maintenance

Wash Undebody and Check Coating

Description

Underbody should be washed with low pressure water. Underbody coating must be checked for peeling&spalling, If wear exists, coating¹ must be renewed in required areas.

Check the vehicle Paintwork

Paintwork must be checked. If any scratches and paintwork damages observed, paint of the damage area must be renewed.

1: Coating: Dinitrol 3641 A 80 - AB-01-027Y - Wide min 300 µ

8.3 APRIL MAINTENANCE LIST (YEAR 1)

Signature of Service/Dealer

Maintenance Date : _____

Mileage : _____

Registration Plate : _____

Repair Maintenance Service (Workshop) _____

Maintenance	Description
<input type="checkbox"/> Wash Undebody and Check Coating	Underbody should be washed with low pressure water. Underbody coating must be checked for peeling&spalling, If wear exists, coating ¹ must be renewed in required areas.
<input type="checkbox"/> Check Engine Room	Engine room must be checked for any corrosion trace and if any damage is located, damages must be repaired.
<input type="checkbox"/> Check Zone-B	Bottom sides (Zone B) must be checked for any corrosion trace and if any damage (due to rock hits etc.) is located, damages must be repaired.
<input type="checkbox"/> Check exterior moving parts and the brackets	Exterior moving parts must be cleaned and lubricated (e.g. Bumper hinges, Lid mechanism, Lid locks, Wiper mechanism, Front light brackets, Side mirror, Lid arms, Suspension of the rear lids, Rear light brackets, Exhaust cover screws and nuts, Radiator lid).
<input type="checkbox"/> Check lids and doors	Lids and doors must be checked for any corrosion trace and if any damage is located, damages must be repaired.
<input type="checkbox"/> Check inside the structure profiles	Inside the structure profiles should be checked, if removed wax or corrosion is observed, wax operation ² must be applied to necessary structure of the body.
<input type="checkbox"/> Check the vehicle Paintwork	Paintwork must be checked. If any scratches and paintwork damages observed, paint of the damage area must be renewed.

1: Coating: Dinitrol 3641 A 80 - AB-01-027Y - Wide min 300 μ
 2: Wax: EFCOAT WH 492 A1 - B03-02-004Y

8.4 OCTOBER MAINTENANCE LIST (YEAR 2)

Signature of Service/Dealer

Maintenance Date :

Mileage :

Registration Plate :

Repair Maintenance Service (Workshop)

Maintenance	Description
<input type="checkbox"/> Wash Undebody and Check Coating	Underbody should be washed with low pressure water. Underbody coating must be checked for peeling&spalling, If wear exists, coating ¹ must be renewed in required areas.
<input type="checkbox"/> Check Engine Room	Engine room must be checked for any corrosion trace and if any damage is located, damages must be repaired.
<input type="checkbox"/> Check Zone-B	Bottom sides (Zone B) must be checked for any corrosion trace and if any damage (due to rock hits etc.) is located, damages must be repaired.
<input type="checkbox"/> Check exterior moving parts and the brackets	Exterior moving parts must be cleaned and lubricated (e.g. Bumper hinges, Lid mechanism, Lid locks, Wiper mechanism, Front light brackets, Side mirror, Lid arms, Suspension of the rear lids, Rear light brackets, Exhaust cover screws and nuts, Radiator lid).
<input type="checkbox"/> Check lids and doors	Lids and doors must be checked for any corrosion trace and if any damage is located, damages must be repaired.
<input type="checkbox"/> Check inside the structure profiles	Inside the structure profiles should be checked, if removed wax or corrosion is observed, wax operation ² must be applied to necessary structure of the body.
<input type="checkbox"/> Check the vehicle Paintwork	Paintwork must be checked. If any scratches and paintwork damages observed, paint of the damage area must be renewed.

1: Coating: Dinitrol 3641 A 80 - AB-01-027Y - Wide min 300 μ
 2: Wax: EFCOAT WH 492 A1 - B03-02-004Y

8.5 JANUARY MAINTENANCE LIST (YEAR 2)

Signature of Service/Dealer

Maintenance Date :
Mileage :
Registration Plate :
Repair Maintenance Service (Workshop)

Maintenance	Description
<input type="checkbox"/> Wash Undebody and Check Coating	Underbody should be washed with low pressure water. Underbody coating must be checked for peeling&spalling, If wear exists, coating ¹ must be renewed in required areas.
<input type="checkbox"/> Check the vehicle Paintwork	Paintwork must be checked. If any scratches and paintwork damages observed, paint of the damage area must be renewed.

1: Coating: Dinitrol 3641 A 80 - AB-01-027Y - Wide min 300 µ

8.6 APRIL MAINTENANCE LIST (YEAR 2)

Signature of Service/Dealer

Maintenance Date :

Mileage :

Registration Plate :

Repair Maintenance Service (Workshop)

Maintenance	Description
<input type="checkbox"/> Wash Undebody and Check Coating	Underbody should be washed with low pressure water. Underbody coating must be checked for peeling&spalling, If wear exists, coating ¹ must be renewed in required areas.
<input type="checkbox"/> Check Engine Room	Engine room must be checked for any corrosion trace and if any damage is located, damages must be repaired.
<input type="checkbox"/> Check Zone-B	Bottom sides (Zone B) must be checked for any corrosion trace and if any damage (due to rock hits etc.) is located, damages must be repaired.
<input type="checkbox"/> Check exterior moving parts and the brackets	Exterior moving parts must be cleaned and lubricated (e.g. Bumper hinges, Lid mechanism, Lid locks, Wiper mechanism, Front light brackets, Side mirror, Lid arms, Suspension of the rear lids, Rear light brackets, Exhaust cover screws and nuts, Radiator lid).
<input type="checkbox"/> Check lids and doors	Lids and doors must be checked for any corrosion trace and if any damage is located, damages must be repaired.
<input type="checkbox"/> Check inside the structure profiles	Inside the structure profiles should be checked, if removed wax or corrosion is observed, wax operation ² must be applied to necessary structure of the body.
<input type="checkbox"/> Check the vehicle Paintwork	Paintwork must be checked. If any scratches and paintwork damages observed, paint of the damage area must be renewed.

1: Coating: Dinitrol 3641 A 80 - AB-01-027Y - Wide min 300 μ
 2: Wax: EFCOAT WH 492 A1 - B03-02-004Y

8.7 OCTOBER MAINTENANCE LIST (YEAR 3)

Signature of Service/Dealer

Maintenance Date :

Mileage :

Registration Plate :

Repair Maintenance Service (Workshop)

Maintenance	Description
<input type="checkbox"/> Wash Undebody and Check Coating	Underbody should be washed with low pressure water. Underbody coating must be checked for peeling&spalling, If wear exists, coating ¹ must be renewed in required areas.
<input type="checkbox"/> Check Engine Room	Engine room must be checked for any corrosion trace and if any damage is located, damages must be repaired.
<input type="checkbox"/> Check Zone-B	Bottom sides (Zone B) must be checked for any corrosion trace and if any damage (due to rock hits etc.) is located, damages must be repaired.
<input type="checkbox"/> Check exterior moving parts and the brackets	Exterior moving parts must be cleaned and lubricated (e.g. Bumper hinges, Lid mechanism, Lid locks, Wiper mechanism, Front light brackets, Side mirror, Lid arms, Suspension of the rear lids, Rear light brackets, Exhaust cover screws and nuts, Radiator lid).
<input type="checkbox"/> Check lids and doors	Lids and doors must be checked for any corrosion trace and if any damage is located, damages must be repaired.
<input type="checkbox"/> Check inside the structure profiles	Inside the structure profiles should be checked, if removed wax or corrosion is observed, wax operation ² must be applied to necessary structure of the body.
<input type="checkbox"/> Check the vehicle Paintwork	Paintwork must be checked. If any scratches and paintwork damages observed, paint of the damage area must be renewed.

1: Coating: Dinitrol 3641 A 80 - AB-01-027Y - Wide min 300 μ
 2: Wax: EFCOAT WH 492 A1 - B03-02-004Y

8.8 JANUARY MAINTENANCE LIST (YEAR 3)

Signature of Service/Dealer

Maintenance Date :

Mileage :

Registration Plate :

Repair Maintenance Service (Workshop)

Maintenance	Description
<input type="checkbox"/> Wash Undebody and Check Coating	Underbody should be washed with low pressure water. Underbody coating must be checked for peeling&spalling, If wear exists, coating ¹ must be renewed in required areas.
<input type="checkbox"/> Check the vehicle Paintwork	Paintwork must be checked. If any scratches and paintwork damages observed, paint of the damage area must be renewed.

1: Coating: Dinitrol 3641 A 80 - AB-01-027Y - Wide min 300 µ

8.9 APRIL MAINTENANCE LIST (YEAR 3)

Signature of Service/Dealer

Maintenance Date :

Mileage :

Registration Plate :

Repair Maintenance Service (Workshop)

Maintenance	Description
<input type="checkbox"/> Wash Undebody and Check Coating	Underbody should be washed with low pressure water. Underbody coating must be checked for peeling&spalling, If wear exists, coating ¹ must be renewed in required areas.
<input type="checkbox"/> Check Engine Room	Engine room must be checked for any corrosion trace and if any damage is located, damages must be repaired.
<input type="checkbox"/> Check Zone-B	Bottom sides (Zone B) must be checked for any corrosion trace and if any damage (due to rock hits etc.) is located, damages must be repaired.
<input type="checkbox"/> Check exterior moving parts and the brackets	Exterior moving parts must be cleaned and lubricated (e.g. Bumper hinges, Lid mechanism, Lid locks, Wiper mechanism, Front light brackets, Side mirror, Lid arms, Suspension of the rear lids, Rear light brackets, Exhaust cover screws and nuts, Radiator lid).
<input type="checkbox"/> Check lids and doors	Lids and doors must be checked for any corrosion trace and if any damage is located, damages must be repaired.
<input type="checkbox"/> Check inside the structure profiles	Inside the structure profiles should be checked, if removed wax or corrosion is observed, wax operation ² must be applied to necessary structure of the body.
<input type="checkbox"/> Check the vehicle Paintwork	Paintwork must be checked. If any scratches and paintwork damages observed, paint of the damage area must be renewed.

1: Coating: Dinitrol 3641 A 80 - AB-01-027Y - Wide min 300 μ
 2: Wax: EFCOAT WH 492 A1 - B03-02-004Y

8.10 OCTOBER MAINTENANCE LIST (YEAR 4)

Signature of Service/Dealer

Maintenance Date :

Mileage :

Registration Plate :

Repair Maintenance Service (Workshop)

Maintenance	Description
<input type="checkbox"/> Wash Undebody and Check Coating	Underbody should be washed with low pressure water. Underbody coating must be checked for peeling&spalling, If wear exists, coating ¹ must be renewed in required areas.
<input type="checkbox"/> Check Engine Room	Engine room must be checked for any corrosion trace and if any damage is located, damages must be repaired.
<input type="checkbox"/> Check Zone-B	Bottom sides (Zone B) must be checked for any corrosion trace and if any damage (due to rock hits etc.) is located, damages must be repaired.
<input type="checkbox"/> Check exterior moving parts and the brackets	Exterior moving parts must be cleaned and lubricated (e.g. Bumper hinges, Lid mechanism, Lid locks, Wiper mechanism, Front light brackets, Side mirror, Lid arms, Suspension of the rear lids, Rear light brackets, Exhaust cover screws and nuts, Radiator lid).
<input type="checkbox"/> Check lids and doors	Lids and doors must be checked for any corrosion trace and if any damage is located, damages must be repaired.
<input type="checkbox"/> Check inside the structure profiles	Inside the structure profiles should be checked, if removed wax or corrosion is observed, wax operation ² must be applied to necessary structure of the body.
<input type="checkbox"/> Check the vehicle Paintwork	Paintwork must be checked. If any scratches and paintwork damages observed, paint of the damage area must be renewed.

1: Coating: Dinitrol 3641 A 80 - AB-01-027Y - Wide min 300 μ
 2: Wax: EFCOAT WH 492 A1 - B03-02-004Y

8.11 JANUARY MAINTENANCE LIST (YEAR 4)

Signature of Service/Dealer

Maintenance Date :

Mileage :

Registration Plate :

Repair Maintenance Service (Workshop)

Maintenance	Description
<input type="checkbox"/> Wash Undebody and Check Coating	Underbody should be washed with low pressure water. Underbody coating must be checked for peeling&spalling, If wear exists, coating ¹ must be renewed in required areas.
<input type="checkbox"/> Check the vehicle Paintwork	Paintwork must be checked. If any scratches and paintwork damages observed, paint of the damage area must be renewed.

1: Coating: Dinitrol 3641 A 80 - AB-01-027Y - Wide min 300 µ

8.12 APRIL MAINTENANCE LIST (YEAR 4)

Signature of Service/Dealer

Maintenance Date :

Mileage :

Registration Plate :

Repair Maintenance Service (Workshop)

Maintenance	Description
<input type="checkbox"/> Wash Undebody and Check Coating	Underbody should be washed with low pressure water. Underbody coating must be checked for peeling&spalling, If wear exists, coating ¹ must be renewed in required areas.
<input type="checkbox"/> Check Engine Room	Engine room must be checked for any corrosion trace and if any damage is located, damages must be repaired.
<input type="checkbox"/> Check Zone-B	Bottom sides (Zone B) must be checked for any corrosion trace and if any damage (due to rock hits etc.) is located, damages must be repaired.
<input type="checkbox"/> Check exterior moving parts and the brackets	Exterior moving parts must be cleaned and lubricated (e.g. Bumper hinges, Lid mechanism, Lid locks, Wiper mechanism, Front light brackets, Side mirror, Lid arms, Suspension of the rear lids, Rear light brackets, Exhaust cover screws and nuts, Radiator lid).
<input type="checkbox"/> Check lids and doors	Lids and doors must be checked for any corrosion trace and if any damage is located, damages must be repaired.
<input type="checkbox"/> Check inside the structure profiles	Inside the structure profiles should be checked, if removed wax or corrosion is observed, wax operation ² must be applied to necessary structure of the body.
<input type="checkbox"/> Check the vehicle Paintwork	Paintwork must be checked. If any scratches and paintwork damages observed, paint of the damage area must be renewed.

1: Coating: Dinitrol 3641 A 80 - AB-01-027Y - Wide min 300 μ
 2: Wax: EFCOAT WH 492 A1 - B03-02-004Y

8.13 OCTOBER MAINTENANCE LIST (YEAR 5)

Signature of Service/Dealer

Maintenance Date : _____

Mileage : _____

Registration Plate : _____

Repair Maintenance Service (Workshop) _____

Maintenance	Description
<input type="checkbox"/> Wash Undebody and Check Coating	Underbody should be washed with low pressure water. Underbody coating must be checked for peeling&spalling, If wear exists, coating ¹ must be renewed in required areas.
<input type="checkbox"/> Check Engine Room	Engine room must be checked for any corrosion trace and if any damage is located, damages must be repaired.
<input type="checkbox"/> Check Zone-B	Bottom sides (Zone B) must be checked for any corrosion trace and if any damage (due to rock hits etc.) is located, damages must be repaired.
<input type="checkbox"/> Check exterior moving parts and the brackets	Exterior moving parts must be cleaned and lubricated (e.g. Bumper hinges, Lid mechanism, Lid locks, Wiper mechanism, Front light brackets, Side mirror, Lid arms, Suspension of the rear lids, Rear light brackets, Exhaust cover screws and nuts, Radiator lid).
<input type="checkbox"/> Check lids and doors	Lids and doors must be checked for any corrosion trace and if any damage is located, damages must be repaired.
<input type="checkbox"/> Check inside the structure profiles	Inside the structure profiles should be checked, if removed wax or corrosion is observed, wax operation ² must be applied to necessary structure of the body.
<input type="checkbox"/> Check the vehicle Paintwork	Paintwork must be checked. If any scratches and paintwork damages observed, paint of the damage area must be renewed.

1: Coating: Dinitrol 3641 A 80 - AB-01-027Y - Wide min 300 μ
 2: Wax: EFCOAT WH 492 A1 - B03-02-004Y

8.14 JANUARY MAINTENANCE LIST (YEAR 5)

Signature of Service/Dealer

Maintenance Date :

Mileage :

Registration Plate :

Repair Maintenance Service (Workshop)

Maintenance

Wash Undebody and Check Coating

Description

Underbody should be washed with low pressure water. Underbody coating must be checked for peeling&spalling, If wear exists, coating¹ must be renewed in required areas.

Check the vehicle Paintwork

Paintwork must be checked. If any scratches and paintwork damages observed, paint of the damage area must be renewed.

1: Coating: Dinitrol 3641 A 80 - AB-01-027Y - Wide min 300 µ

8.15 APRIL MAINTENANCE LIST (YEAR 5)

Signature of Service/Dealer

Maintenance Date :

Mileage :

Registration Plate :

Repair Maintenance Service (Workshop)

Maintenance	Description
<input type="checkbox"/> Wash Undebody and Check Coating	Underbody should be washed with low pressure water. Underbody coating must be checked for peeling&spalling, If wear exists, coating ¹ must be renewed in required areas.
<input type="checkbox"/> Check Engine Room	Engine room must be checked for any corrosion trace and if any damage is located, damages must be repaired.
<input type="checkbox"/> Check Zone-B	Bottom sides (Zone B) must be checked for any corrosion trace and if any damage (due to rock hits etc.) is located, damages must be repaired.
<input type="checkbox"/> Check exterior moving parts and the brackets	Exterior moving parts must be cleaned and lubricated (e.g. Bumper hinges, Lid mechanism, Lid locks, Wiper mechanism, Front light brackets, Side mirror, Lid arms, Suspension of the rear lids, Rear light brackets, Exhaust cover screws and nuts, Radiator lid).
<input type="checkbox"/> Check lids and doors	Lids and doors must be checked for any corrosion trace and if any damage is located, damages must be repaired.
<input type="checkbox"/> Check inside the structure profiles	Inside the structure profiles should be checked, if removed wax or corrosion is observed, wax operation ² must be applied to necessary structure of the body.
<input type="checkbox"/> Check the vehicle Paintwork	Paintwork must be checked. If any scratches and paintwork damages observed, paint of the damage area must be renewed.

1: Coating: Dinitrol 3641 A 80 - AB-01-027Y - Wide min 300 µ

2: Wax: EFCOAT WH 492 A1 - B03-02-004Y

8.16 OCTOBER MAINTENANCE LIST (YEAR 6)

Signature of Service/Dealer

Maintenance Date :

Mileage :

Registration Plate :

Repair Maintenance Service (Workshop)

Maintenance	Description
<input type="checkbox"/> Wash Undebody and Check Coating	Underbody should be washed with low pressure water. Underbody coating must be checked for peeling&spalling, If wear exists, coating ¹ must be renewed in required areas.
<input type="checkbox"/> Check Engine Room	Engine room must be checked for any corrosion trace and if any damage is located, damages must be repaired.
<input type="checkbox"/> Check Zone-B	Bottom sides (Zone B) must be checked for any corrosion trace and if any damage (due to rock hits etc.) is located, damages must be repaired.
<input type="checkbox"/> Check exterior moving parts and the brackets	Exterior moving parts must be cleaned and lubricated (e.g. Bumper hinges, Lid mechanism, Lid locks, Wiper mechanism, Front light brackets, Side mirror, Lid arms, Suspension of the rear lids, Rear light brackets, Exhaust cover screws and nuts, Radiator lid).
<input type="checkbox"/> Check lids and doors	Lids and doors must be checked for any corrosion trace and if any damage is located, damages must be repaired.
<input type="checkbox"/> Check inside the structure profiles	Inside the structure profiles should be checked, if removed wax or corrosion is observed, wax operation ² must be applied to necessary structure of the body.
<input type="checkbox"/> Check the vehicle Paintwork	Paintwork must be checked. If any scratches and paintwork damages observed, paint of the damage area must be renewed.

1: Coating: Dinitrol 3641 A 80 - AB-01-027Y - Wide min 300 μ
 2: Wax: EFCOAT WH 492 A1 - B03-02-004Y

8.17 JANUARY MAINTENANCE LIST (YEAR 6)

Signature of Service/Dealer

Maintenance Date :

Mileage :

Registration Plate :

Repair Maintenance Service (Workshop)

Maintenance	Description
<input type="checkbox"/> Wash Undebody and Check Coating	Underbody should be washed with low pressure water. Underbody coating must be checked for peeling&spalling, If wear exists, coating ¹ must be renewed in required areas.
<input type="checkbox"/> Check the vehicle Paintwork	Paintwork must be checked. If any scratches and paintwork damages observed, paint of the damage area must be renewed.

1: Coating: Dinitrol 3641 A 80 - AB-01-027Y - Wide min 300 µ

8.18 APRIL MAINTENANCE LIST (YEAR 6)

Signature of Service/Dealer

Maintenance Date :

Mileage :

Registration Plate :

Repair Maintenance Service (Workshop)

Maintenance	Description
<input type="checkbox"/> Wash Undebody and Check Coating	Underbody should be washed with low pressure water. Underbody coating must be checked for peeling&spalling, If wear exists, coating ¹ must be renewed in required areas.
<input type="checkbox"/> Check Engine Room	Engine room must be checked for any corrosion trace and if any damage is located, damages must be repaired.
<input type="checkbox"/> Check Zone-B	Bottom sides (Zone B) must be checked for any corrosion trace and if any damage (due to rock hits etc.) is located, damages must be repaired.
<input type="checkbox"/> Check exterior moving parts and the brackets	Exterior moving parts must be cleaned and lubricated (e.g. Bumper hinges, Lid mechanism, Lid locks, Wiper mechanism, Front light brackets, Side mirror, Lid arms, Suspension of the rear lids, Rear light brackets, Exhaust cover screws and nuts, Radiator lid).
<input type="checkbox"/> Check lids and doors	Lids and doors must be checked for any corrosion trace and if any damage is located, damages must be repaired.
<input type="checkbox"/> Check inside the structure profiles	Inside the structure profiles should be checked, if removed wax or corrosion is observed, wax operation ² must be applied to necessary structure of the body.
<input type="checkbox"/> Check the vehicle Paintwork	Paintwork must be checked. If any scratches and paintwork damages observed, paint of the damage area must be renewed.

1: Coating: Dinitrol 3641 A 80 - AB-01-027Y - Wide min 300 μ
 2: Wax: EFCOAT WH 492 A1 - B03-02-004Y

8.19 OCTOBER MAINTENANCE LIST (YEAR 7)

Signature of Service/Dealer

Maintenance Date :

Mileage :

Registration Plate :

Repair Maintenance Service (Workshop)

Maintenance	Description
<input type="checkbox"/> Wash Undebody and Check Coating	Underbody should be washed with low pressure water. Underbody coating must be checked for peeling&spalling, If wear exists, coating ¹ must be renewed in required areas.
<input type="checkbox"/> Check Engine Room	Engine room must be checked for any corrosion trace and if any damage is located, damages must be repaired.
<input type="checkbox"/> Check Zone-B	Bottom sides (Zone B) must be checked for any corrosion trace and if any damage (due to rock hits etc.) is located, damages must be repaired.
<input type="checkbox"/> Check exterior moving parts and the brackets	Exterior moving parts must be cleaned and lubricated (e.g. Bumper hinges, Lid mechanism, Lid locks, Wiper mechanism, Front light brackets, Side mirror, Lid arms, Suspension of the rear lids, Rear light brackets, Exhaust cover screws and nuts, Radiator lid).
<input type="checkbox"/> Check lids and doors	Lids and doors must be checked for any corrosion trace and if any damage is located, damages must be repaired.
<input type="checkbox"/> Check inside the structure profiles	Inside the structure profiles should be checked, if removed wax or corrosion is observed, wax operation ² must be applied to necessary structure of the body.
<input type="checkbox"/> Check the vehicle Paintwork	Paintwork must be checked. If any scratches and paintwork damages observed, paint of the damage area must be renewed.

1: Coating: Dinitrol 3641 A 80 - AB-01-027Y - Wide min 300 μ
 2: Wax: EFCOAT WH 492 A1 - B03-02-004Y

8.20 JANUARY MAINTENANCE LIST (YEAR 7)

Signature of Service/Dealer

Maintenance Date :

Mileage :

Registration Plate :

Repair Maintenance Service (Workshop)

Maintenance

Wash Undebody and Check Coating

Description

Underbody should be washed with low pressure water. Underbody coating must be checked for peeling&spalling, If wear exists, coating¹ must be renewed in required areas.

Check the vehicle Paintwork

Paintwork must be checked. If any scratches and paintwork damages observed, paint of the damage area must be renewed.

1: Coating: Dinitrol 3641 A 80 - AB-01-027Y - Wide min 300 µ

8.21 APRIL MAINTENANCE LIST (YEAR 7)

Signature of Service/Dealer

Maintenance Date :

Mileage :

Registration Plate :

Repair Maintenance Service (Workshop)

Maintenance	Description
<input type="checkbox"/> Wash Undebody and Check Coating	Underbody should be washed with low pressure water. Underbody coating must be checked for peeling&spalling, If wear exists, coating ¹ must be renewed in required areas.
<input type="checkbox"/> Check Engine Room	Engine room must be checked for any corrosion trace and if any damage is located, damages must be repaired.
<input type="checkbox"/> Check Zone-B	Bottom sides (Zone B) must be checked for any corrosion trace and if any damage (due to rock hits etc.) is located, damages must be repaired.
<input type="checkbox"/> Check exterior moving parts and the brackets	Exterior moving parts must be cleaned and lubricated (e.g. Bumper hinges, Lid mechanism, Lid locks, Wiper mechanism, Front light brackets, Side mirror, Lid arms, Suspension of the rear lids, Rear light brackets, Exhaust cover screws and nuts, Radiator lid).
<input type="checkbox"/> Check lids and doors	Lids and doors must be checked for any corrosion trace and if any damage is located, damages must be repaired.
<input type="checkbox"/> Check inside the structure profiles	Inside the structure profiles should be checked, if removed wax or corrosion is observed, wax operation ² must be applied to necessary structure of the body.
<input type="checkbox"/> Check the vehicle Paintwork	Paintwork must be checked. If any scratches and paintwork damages observed, paint of the damage area must be renewed.

1: Coating: Dinitrol 3641 A 80 - AB-01-027Y - Wide min 300 μ
 2: Wax: EFCOAT WH 492 A1 - B03-02-004Y

8.22 OCTOBER MAINTENANCE LIST (YEAR 8)

Signature of Service/Dealer

Maintenance Date :

Mileage :

Registration Plate :

Repair Maintenance Service (Workshop)

Maintenance	Description
<input type="checkbox"/> Wash Undebody and Check Coating	Underbody should be washed with low pressure water. Underbody coating must be checked for peeling&spalling, If wear exists, coating ¹ must be renewed in required areas.
<input type="checkbox"/> Check Engine Room	Engine room must be checked for any corrosion trace and if any damage is located, damages must be repaired.
<input type="checkbox"/> Check Zone-B	Bottom sides (Zone B) must be checked for any corrosion trace and if any damage (due to rock hits etc.) is located, damages must be repaired.
<input type="checkbox"/> Check exterior moving parts and the brackets	Exterior moving parts must be cleaned and lubricated (e.g. Bumper hinges, Lid mechanism, Lid locks, Wiper mechanism, Front light brackets, Side mirror, Lid arms, Suspension of the rear lids, Rear light brackets, Exhaust cover screws and nuts, Radiator lid).
<input type="checkbox"/> Check lids and doors	Lids and doors must be checked for any corrosion trace and if any damage is located, damages must be repaired.
<input type="checkbox"/> Check inside the structure profiles	Inside the structure profiles should be checked, if removed wax or corrosion is observed, wax operation ² must be applied to necessary structure of the body.
<input type="checkbox"/> Check the vehicle Paintwork	Paintwork must be checked. If any scratches and paintwork damages observed, paint of the damage area must be renewed.

1: Coating: Dinitrol 3641 A 80 - AB-01-027Y - Wide min 300 μ
 2: Wax: EFCOAT WH 492 A1 - B03-02-004Y

8.23 JANUARY MAINTENANCE LIST (YEAR 8)

Signature of Service/Dealer

Maintenance Date :
Mileage :
Registration Plate :
Repair Maintenance Service (Workshop)

Maintenance

Wash Undebody and Check Coating

Description

Underbody should be washed with low pressure water. Underbody coating must be checked for peeling&spalling, If wear exists, coating¹ must be renewed in required areas.

Check the vehicle Paintwork

Paintwork must be checked. If any scratches and paintwork damages observed, paint of the damage area must be renewed.

1: Coating: Dinitrol 3641 A 80 - AB-01-027Y - Wide min 300 µ

8.24 APRIL MAINTENANCE LIST (YEAR 8)

Signature of Service/Dealer

Maintenance Date :

Mileage :

Registration Plate :

Repair Maintenance Service (Workshop)

Maintenance	Description
<input type="checkbox"/> Wash Undebody and Check Coating	Underbody should be washed with low pressure water. Underbody coating must be checked for peeling&spalling, If wear exists, coating ¹ must be renewed in required areas.
<input type="checkbox"/> Check Engine Room	Engine room must be checked for any corrosion trace and if any damage is located, damages must be repaired.
<input type="checkbox"/> Check Zone-B	Bottom sides (Zone B) must be checked for any corrosion trace and if any damage (due to rock hits etc.) is located, damages must be repaired.
<input type="checkbox"/> Check exterior moving parts and the brackets	Exterior moving parts must be cleaned and lubricated (e.g. Bumper hinges, Lid mechanism, Lid locks, Wiper mechanism, Front light brackets, Side mirror, Lid arms, Suspension of the rear lids, Rear light brackets, Exhaust cover screws and nuts, Radiator lid).
<input type="checkbox"/> Check lids and doors	Lids and doors must be checked for any corrosion trace and if any damage is located, damages must be repaired.
<input type="checkbox"/> Check inside the structure profiles	Inside the structure profiles should be checked, if removed wax or corrosion is observed, wax operation ² must be applied to necessary structure of the body.
<input type="checkbox"/> Check the vehicle Paintwork	Paintwork must be checked. If any scratches and paintwork damages observed, paint of the damage area must be renewed.

1: Coating: Dinitrol 3641 A 80 - AB-01-027Y - Wide min 300 μ
 2: Wax: EFCOAT WH 492 A1 - B03-02-004Y

8.25 OCTOBER MAINTENANCE LIST (YEAR 9)

Signature of Service/Dealer

Maintenance Date :

Mileage :

Registration Plate :

Repair Maintenance Service (Workshop)

Maintenance	Description
<input type="checkbox"/> Wash Undebody and Check Coating	Underbody should be washed with low pressure water. Underbody coating must be checked for peeling&spalling, If wear exists, coating ¹ must be renewed in required areas.
<input type="checkbox"/> Check Engine Room	Engine room must be checked for any corrosion trace and if any damage is located, damages must be repaired.
<input type="checkbox"/> Check Zone-B	Bottom sides (Zone B) must be checked for any corrosion trace and if any damage (due to rock hits etc.) is located, damages must be repaired.
<input type="checkbox"/> Check exterior moving parts and the brackets	Exterior moving parts must be cleaned and lubricated (e.g. Bumper hinges, Lid mechanism, Lid locks, Wiper mechanism, Front light brackets, Side mirror, Lid arms, Suspension of the rear lids, Rear light brackets, Exhaust cover screws and nuts, Radiator lid).
<input type="checkbox"/> Check lids and doors	Lids and doors must be checked for any corrosion trace and if any damage is located, damages must be repaired.
<input type="checkbox"/> Check inside the structure profiles	Inside the structure profiles should be checked, if removed wax or corrosion is observed, wax operation ² must be applied to necessary structure of the body.
<input type="checkbox"/> Check the vehicle Paintwork	Paintwork must be checked. If any scratches and paintwork damages observed, paint of the damage area must be renewed.

1: Coating: Dinitrol 3641 A 80 - AB-01-027Y - Wide min 300 μ
 2: Wax: EFCOAT WH 492 A1 - B03-02-004Y

8.26 JANUARY MAINTENANCE LIST (YEAR 9)

Signature of Service/Dealer

Maintenance Date :

Mileage :

Registration Plate :

Repair Maintenance Service (Workshop)

Maintenance

Wash Undebody and Check Coating

Description

Underbody should be washed with low pressure water. Underbody coating must be checked for peeling&spalling, If wear exists, coating¹ must be renewed in required areas.

Check the vehicle Paintwork

Paintwork must be checked. If any scratches and paintwork damages observed, paint of the damage area must be renewed.

1: Coating: Dinitrol 3641 A 80 - AB-01-027Y - Wide min 300 µ

8.27 APRIL MAINTENANCE LIST (YEAR 9)

Signature of Service/Dealer

Maintenance Date :

Mileage :

Registration Plate :

Repair Maintenance Service (Workshop)

Maintenance	Description
<input type="checkbox"/> Wash Undebody and Check Coating	Underbody should be washed with low pressure water. Underbody coating must be checked for peeling&spalling, If wear exists, coating ¹ must be renewed in required areas.
<input type="checkbox"/> Check Engine Room	Engine room must be checked for any corrosion trace and if any damage is located, damages must be repaired.
<input type="checkbox"/> Check Zone-B	Bottom sides (Zone B) must be checked for any corrosion trace and if any damage (due to rock hits etc.) is located, damages must be repaired.
<input type="checkbox"/> Check exterior moving parts and the brackets	Exterior moving parts must be cleaned and lubricated (e.g. Bumper hinges, Lid mechanism, Lid locks, Wiper mechanism, Front light brackets, Side mirror, Lid arms, Suspension of the rear lids, Rear light brackets, Exhaust cover screws and nuts, Radiator lid).
<input type="checkbox"/> Check lids and doors	Lids and doors must be checked for any corrosion trace and if any damage is located, damages must be repaired.
<input type="checkbox"/> Check inside the structure profiles	Inside the structure profiles should be checked, if removed wax or corrosion is observed, wax operation ² must be applied to necessary structure of the body.
<input type="checkbox"/> Check the vehicle Paintwork	Paintwork must be checked. If any scratches and paintwork damages observed, paint of the damage area must be renewed.

1: Coating: Dinitrol 3641 A 80 - AB-01-027Y - Wide min 300 μ

2: Wax: EFCOAT WH 492 A1 - B03-02-004Y

8.28 OCTOBER MAINTENANCE LIST (YEAR 10)

Signature of Service/Dealer

Maintenance Date :

Mileage :

Registration Plate :

Repair Maintenance Service (Workshop)

Maintenance	Description
<input type="checkbox"/> Wash Undebody and Check Coating	Underbody should be washed with low pressure water. Underbody coating must be checked for peeling&spalling, If wear exists, coating ¹ must be renewed in required areas.
<input type="checkbox"/> Check Engine Room	Engine room must be checked for any corrosion trace and if any damage is located, damages must be repaired.
<input type="checkbox"/> Check Zone-B	Bottom sides (Zone B) must be checked for any corrosion trace and if any damage (due to rock hits etc.) is located, damages must be repaired.
<input type="checkbox"/> Check exterior moving parts and the brackets	Exterior moving parts must be cleaned and lubricated (e.g. Bumper hinges, Lid mechanism, Lid locks, Wiper mechanism, Front light brackets, Side mirror, Lid arms, Suspension of the rear lids, Rear light brackets, Exhaust cover screws and nuts, Radiator lid).
<input type="checkbox"/> Check lids and doors	Lids and doors must be checked for any corrosion trace and if any damage is located, damages must be repaired.
<input type="checkbox"/> Check inside the structure profiles	Inside the structure profiles should be checked, if removed wax or corrosion is observed, wax operation ² must be applied to necessary structure of the body.
<input type="checkbox"/> Check the vehicle Paintwork	Paintwork must be checked. If any scratches and paintwork damages observed, paint of the damage area must be renewed.

1: Coating: Dinitrol 3641 A 80 - AB-01-027Y - Wide min 300 μ
 2: Wax: EFCOAT WH 492 A1 - B03-02-004Y

8.29 JANUARY MAINTENANCE LIST (YEAR 10)

Signature of Service/Dealer

Maintenance Date :

Mileage :

Registration Plate :

Repair Maintenance Service (Workshop)

Maintenance	Description
<input type="checkbox"/> Wash Undebody and Check Coating	Underbody should be washed with low pressure water. Underbody coating must be checked for peeling&spalling, If wear exists, coating ¹ must be renewed in required areas.
<input type="checkbox"/> Check the vehicle Paintwork	Paintwork must be checked. If any scratches and paintwork damages observed, paint of the damage area must be renewed.

1: Coating: Dinitrol 3641 A 80 - AB-01-027Y - Wide min 300 µ

8.30 APRIL MAINTENANCE LIST (YEAR 10)

Signature of Service/Dealer

Maintenance Date :

Mileage :

Registration Plate :

Repair Maintenance Service (Workshop)

Maintenance	Description
<input type="checkbox"/> Wash Undebody and Check Coating	Underbody should be washed with low pressure water. Underbody coating must be checked for peeling&spalling, If wear exists, coating ¹ must be renewed in required areas.
<input type="checkbox"/> Check Engine Room	Engine room must be checked for any corrosion trace and if any damage is located, damages must be repaired.
<input type="checkbox"/> Check Zone-B	Bottom sides (Zone B) must be checked for any corrosion trace and if any damage (due to rock hits etc.) is located, damages must be repaired.
<input type="checkbox"/> Check exterior moving parts and the brackets	Exterior moving parts must be cleaned and lubricated (e.g. Bumper hinges, Lid mechanism, Lid locks, Wiper mechanism, Front light brackets, Side mirror, Lid arms, Suspension of the rear lids, Rear light brackets, Exhaust cover screws and nuts, Radiator lid).
<input type="checkbox"/> Check lids and doors	Lids and doors must be checked for any corrosion trace and if any damage is located, damages must be repaired.
<input type="checkbox"/> Check inside the structure profiles	Inside the structure profiles should be checked, if removed wax or corrosion is observed, wax operation ² must be applied to necessary structure of the body.
<input type="checkbox"/> Check the vehicle Paintwork	Paintwork must be checked. If any scratches and paintwork damages observed, paint of the damage area must be renewed.

1: Coating: Dinitrol 3641 A 80 - AB-01-027Y - Wide min 300 μ
 2: Wax: EFCOAT WH 492 A1 - B03-02-004Y

NOTES

A series of horizontal dotted lines for taking notes.



TEMSA

Stamp

www.temsa.com

FACTORY & INTERNATIONAL CUSTOMER SERVICES

Mersin Yolu Üzeri 10 km. P.K. :480 01323 ADANA / TURKEY

P: 0 322 441 02 26 PBX

F: 0 322 441 01 05

Temsa Europe NV

Dellingstraat 32, Mechelen Belgium

P: +32 15 44 00 00

F: +32 15 44 00 09

E: info@temsa.com

"Value in motion" and "TEMSA" is a trading name of TEMSA Global. The TEMSA Roundel and the TEMSA word mark are registered trademarks of TEMSA Global. The information in this publication is accurate as of its publication date. The information here in is subject to change without prior notice. Copyright© 2013 TEMSA Global. All rights reserved.